

KA-1000-THX

SUBWOOFER AMPLIFIER

OWNER'S MANUAL



KA-1000-THX AMPLIFIER

IMPORTANT SAFETY INSTRUCTIONS

1. READ these instructions.
2. KEEP these instructions.
3. HEED all warnings.
4. FOLLOW all instructions.
5. DO NOT use this apparatus near water.
6. CLEAN ONLY with dry cloth.
7. DO NOT block any ventilation openings. Install in accordance with the manufacturer's instructions.
8. DO NOT install near any heat sources such as radiators, heat registers, stoves, or other apparatus (including amplifiers) that produce heat.
9. DO NOT defeat the safety purpose of the polarized or grounding type plug. A polarized plug has two blades with one wider than the other. A grounding type plug has two blades and a third grounding prong. The wider blade or the third prong are provided for your safety. If the provided plug does not fit into your outlet, consult an electrician for replacement of the obsolete outlet.
10. PROTECT the power cord from being walked on or pinched, particularly at plugs, convenience receptacles, and the point where they exit from the apparatus.
11. ONLY USE attachments/accessories specified by the manufacturer.
12. USE only with a cart, stand, tripod, bracket, or table specified by the manufacturer, or sold with the apparatus. When a cart is used, use caution when moving the cart/apparatus combination to avoid injury from tip-over.
13. UNPLUG this apparatus during lightning storms or when unused for long periods of time.
14. REFER all servicing to qualified service personnel. Servicing is required when the apparatus has been damaged in any way, such as power-supply cord or plug is damaged, liquid has been spilled or objects have fallen into the apparatus, the apparatus has been exposed to rain or moisture, does not operate normally, or has been dropped.



This symbol indicates that there are important operating and maintenance instructions in the literature accompanying this unit.



This symbol indicates that dangerous voltage constituting a risk of electric shock is present within this unit.

WARNING: To reduce the risk of fire or electrical shock, do not expose this apparatus to rain or moisture.



WARNING: Voltages in this equipment are hazardous to life. No user-serviceable parts inside. Refer all servicing to qualified service personnel.

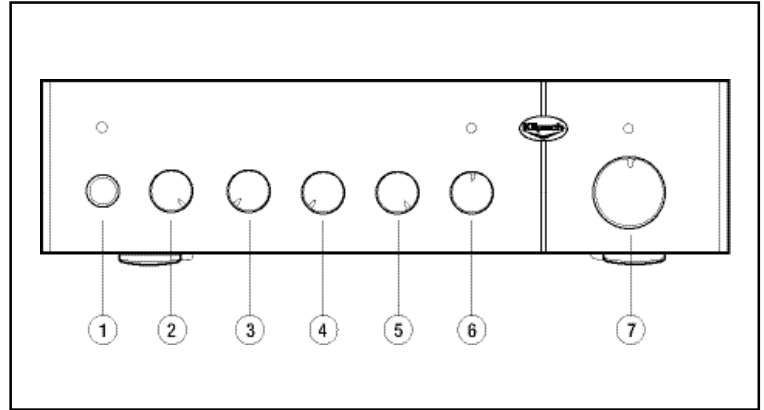
CAUTION: Changes or modifications not expressly approved by the manufacturer could void the user's authority to operate this device.

ABOUT YOUR KLIPSCH PURCHASE

Thank you for your purchase of a Klipsch subwoofer amplifier. After reading this manual and connecting your system, you will hear the results of over 55 years of stringent engineering and class-leading research and development. Please be sure to fill out the warranty card at the back of this manual or online at www.klipsch.com so we are better able to serve you. Again, thank you for choosing Klipsch and we hope that your subwoofer amplifier brings life to your music and movies for many years.

UNPACKING

The easiest way to remove the amplifier from its carton is to turn the open end of the box down so that it is resting on a table or the floor, with the flaps spread out and away. Then pull the box straight up and off. Remove any packing material from the amplifier, place it back in the carton, and store in case you ever need to ship the amplifier.



FRONT PANEL CONTROLS

1. Master Power On/Off

The Master Power switch turns the amplifier on and off. In addition to the Master Power switch, the KA-1000-THX has an Auto Power function that will allow the amplifier to turn itself on and off automatically when an audio signal is detected. An LED indicates the current status of the amplifier – RED when the amplifier is in Standby and GREEN when the amplifier is active. The LED is off when the Master Power switch is set to the "Off" position.

2. Auto Power On/Off

The Auto Power switch has two settings – "On" and "Off". In the "Off" position, the Master Power switch turns the amplifier on or off. If you leave the Master Power switch in the "On" position and set the Auto Power switch to the "On" position, then the amplifier will automatically turn itself on and off when an audio signal is detected. There is a 2 second On delay and a 15 minute Off delay when using the Auto Power function.

3. Phase Control

The Phase control on the KA-1000-THX is continuously variable from 0° to 180°. This control allows you to fine tune the performance of your subwoofer system by optimizing the blend with the main speakers. Basically, one of the positions will result in an audible increase in bass output depending upon room placement.

4. Boundary Gain Compensation On/Off

The Boundary Gain Compensation switch allows you to fine-tune the low-end extension of your subwoofer system based upon room placement. In some room locations, your subwoofers low-end response may become exaggerated or boomy due to the increase in output from your room's acoustics. In this case, selecting the "On" position will restore the system to a flatter, less boomy response. If you are using a THX® Ultra2™ receiver or processor and you have selected "Ultra2" for the sub setting, the boundary gain compensation switch should be set to "Off."

5. THX On/Off

The THX switch provides a means to bypass the crossover and level controls when using a THX preamplifier or receiver. In the "On" position, the crossover and level controls do not function. (In this configuration, your preamplifier or receiver will perform those functions.) In the "Off" position, the crossover and level controls operate normally. Be sure the volume level on your preamplifier or receiver is turned down before changing the setting of this switch.

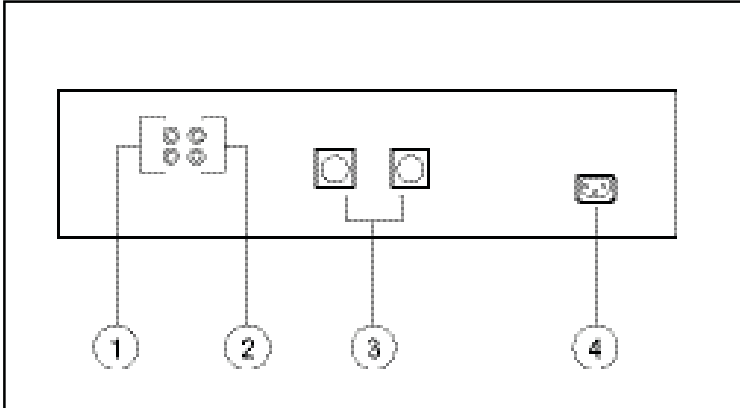
6. Lowpass Crossover

The Lowpass Crossover control allows you to select the proper frequency at which your subwoofer system blends with your main speakers. It is selectable from 40-120Hz. You should set this control to the approximate low-frequency limit of your main left and right speakers. In a THX system, this setting would be 80Hz. If the THX control is set to the "On" position, this control will not operate. An LED status indicator is provided to tell you whether or not this control is operational – GREEN for active and RED for bypassed.

7. Level Control

The Level control is the volume setting for the amplifier. It is used in conjunction with the subwoofer output level control on your preamplifier or receiver. It is used to adjust the overall output level of your subwoofer system. If the THX control is set to the "On" position, this control will not operate. An LED status indicator is provided to tell you whether or not this control is operational – GREEN for active and RED for bypassed.

KA-1000-THX AMPLIFIER



REAR PANEL INPUTS AND OUTPUTS / CONNECTIONS AND SETUP

Make all connections with the power turned "OFF" on both the subwoofer amplifier and your receiver or preamplifier!

1. Line Level Input

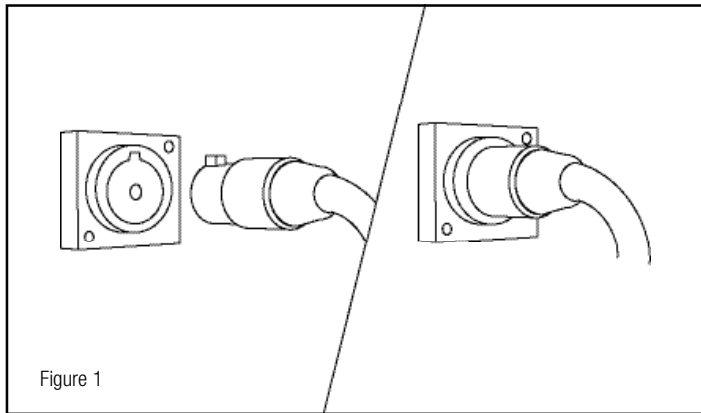
The Line Level input consists of a pair of gold-plated RCA phono jacks. Either one or both may be used. (Use a shielded, high quality subwoofer interconnect cable of appropriate length with RCA plugs on each end. Your dealer can help you select a suitable cable.) This input can function as either a Line Level input or an LFE Input, depending on the position of the THX On/Off switch. When THX is On, the Lowpass Crossover is bypassed and the Line Level input effectively functions as an unfiltered LFE input.

2. Line Level Output

The Line Level output consists of a pair of gold-plated RCA phono jacks. Either one or both may be used. This output is an unfiltered passthru of the Line Level input signal. It can be used to connect to a second KA-1000-THX amplifier or to connect back to your electronics if needed.

3. Speaker Level Outputs

The Speaker Level outputs are two professional style Speakon® NL2 connections. This is a simple connection that is easy to use, secure and foolproof. You simply align the tab on the connector with the slot on the output jack, fully insert the connector, turn it clockwise and the collar locks into place (Figure 1). To remove it, pull back on the collar and while holding it back, turn it counterclockwise and pull it out. This connection is repeated on the back of the subwoofer enclosure. If you are using two KW-120-THX subwoofers, connect the second one in the same fashion to the KA-1000-THX's second output jack. (A single, 20-foot length, THX Ultra certified subwoofer speaker cable is provided with each KW-120-THX subwoofer enclosure. Contact your dealer if you need a longer cable.)



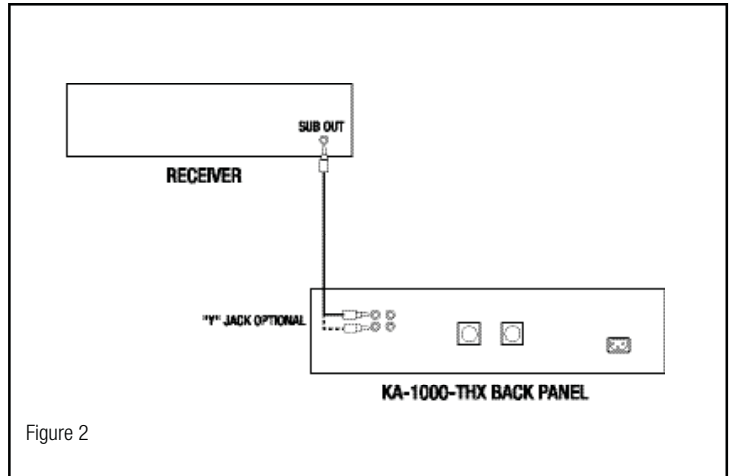
4. AC Line Cord

The AC Line connection uses a detachable three-prong power cord. Insert the line cord into this jack, set the Master Power switch to "Off", then insert the power cord into an appropriate AC receptacle. Leave the Master Power switch off until all connections are completed. (We recommend leaving the Master Power and Auto Power switches in the "On" position for normal operation in most systems.)

CONNECTION AND ADJUSTMENT

The KA-1000-THX is a high-performance, THX Ultra2-certified Class D digital power amplifier with a built-in subwoofer crossover. It is designed specifically to drive one or two KW-120-THX subwoofers to maximum output without audible distortion or risk of damage. Although the amplifier's connections and controls are simple, their use varies somewhat according to the subwoofer system's application. Typical setup procedures are described in the following sections – one for digital systems and one for analog systems.

THX / Digital Surround Receiver or Processor Connection — Today's Dolby Digital® and DTS® digital surround receivers and processors, as well as all THX-certified models, have line-level subwoofer outputs and built-in subwoofer crossovers. If your system is built around one of these, it will almost always be best to use the KA-1000-THX with the THX switch in the "On" position. This will bypass the crossover and level controls. Connect the subwoofer output on the receiver or processor to one or both of the KA-1000-THX's two input jacks (Figure 2). Use a shielded, high quality subwoofer interconnect cable of appropriate length with RCA plugs on each end. Your dealer can help you select a suitable cable. Be sure to go into your receiver or processor's speaker setup menu and set Subwoofer to "On" or "Yes", or if it is a THX Ultra2 certified model, select "Ultra2" in the subwoofer menu. Your receiver or processor may have additional bass management abilities beyond simply activating the subwoofer output. Consult your receiver or processor's owner's manual or your dealer for more information on the proper bass management settings for your system.



Crossover Adjustment – With the THX switch in the "On" position as suggested for this type of setup, the crossover control will not function. Its status LED will be red signifying that this control is bypassed. Your receiver or processor will perform the crossover functions for the subwoofer in this situation. When using either the KL-650-THX or KL-525-THX as your front speakers, select the 80Hz (THX) crossover frequency.

Level Control – With the THX switch in the "On" position as suggested for this type of setup, the level control will not function. Its status LED will be red signifying that this control is bypassed. Your receiver or processor will perform the volume level functions for the subwoofer in this situation.

Phase Control – In some installations the setting of the Phase control may not make much difference, whereas in others it may be necessary to go back and forth between the Phase and Level controls for a while in order to get the very best blend with the main speakers. Since each control setting (including the one for crossover frequency in the receiver or processor) affects the optimum settings for the others, it often takes a while to get everything dialed in just right. Start with the Phase control at 0° and play a recording with a prominent, repeating bass line in your listening position. Repeat this process with the control in the 90° and 180° positions. Use the setting that yields the greatest bass output.

Non-THX / Analog Surround Receiver / Processor or Two-Channel Stereo System

Connection – Some analog A/V receivers and processors (without Dolby Digital® or DTS® capability) have a line-level subwoofer output. Others have left- and right-channel line-level outputs, as do some stereo receivers and integrated amplifiers. All separate stereo preamps and surround processors have line-level outputs. If your system is built around one of these, it will almost always be best to use the KA-1000-THX with the THX switch in the “Off” position. This will activate the crossover and level controls. These types of outputs should be connected to the KA-1000-THX’s line-level inputs (Figure 3). You will need one or two shielded, high quality interconnect cables of appropriate length with RCA plugs on each end. Your dealer can help you select suitable cables.

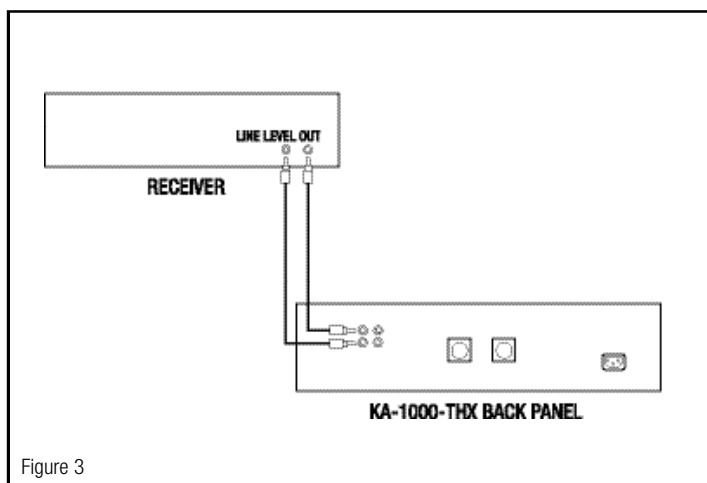


Figure 3

- **Subwoofer Output** – Connect the subwoofer output jack to one of the line-level input jacks on the KA-1000-THX.
- **Preamp Outputs on Receiver or Integrated Amplifier** – If your receiver or integrated amplifier has spare preamplifier outputs for its front left and right channels, connect these to the line-level inputs on the KA-1000-THX.
- **Pre-out/Main-in Loops on Receiver or Integrated Amplifier** – Some receivers and integrated amplifiers have their preamplifier and power amplifier stages connected externally via jumpers. If yours has its left and right front channels connected this way, you can connect the KA-1000-THX to those preamp outputs. You will need a pair of Y-adaptors, each with two male RCA plugs and one female RCA jack. Remove the jumpers for the two channels. For each, plug one leg of a Y-adaptor into the preamp output jack and another into the main amp input jack. Plug the cables leading to the KA-1000-THX into the female ends of the Y-adaptors.
- **Separate Preamplifier or Surround Processor** – You will need a pair of Y-adaptors, each with one male RCA plug and two female RCA jacks. Unplug the cables leading from the front left- and right-channel outputs on the preamp or processor and plug the Y-adaptors into them. For each channel, plug the cable leading to the power amplifier into one of the RCA jacks on the Y-adaptor and the cable leading to the KA-1000-THX into the other.

Crossover Adjustment – With the THX switch in the “Off” position as suggested for this type of setup, the crossover control will be activated. Its status LED will be green signifying that this control is active. Set the control to the approximate low-frequency limit of your main left and right front speakers. If you don’t have their specifications, take an educated guess based on the size of the speakers. A large speaker will usually work down to lower frequencies than a small speaker. So for a large floorstanding loudspeaker, you might start with the Crossover frequency set all the way down to 40Hz, whereas for very small satellite speakers you might want to turn it all the way up to 120Hz. Typical bookshelf speakers would tend to be in the 50Hz to 80Hz range. If the crossover frequency is set higher than 100Hz, the subwoofer should be in the front of the room near the front main speakers.

Level Control – With the THX switch in the “Off” position as suggested for this type of setup, the level control will be activated. Its status LED will be green signifying that this control is active. Play a variety of music recordings containing strong but not overpowering bass. Adjust the KA-1000-THX’s level control until the music sounds consistently warm and natural. If you have trouble getting enough low bass without the sound becoming boomy, it probably means the Crossover control is set too high. Try turning it down a bit at a time until the problem goes away. If the sound is thin until you turn the subwoofer Level up so much that lower bass is too prominent, start by varying the setting of the Phase or Boundary Gain Compensation controls. If that does not entirely solve the problem, you probably need to raise the Crossover frequency.

Phase Control – In some installations the setting of the Phase control may not make much difference, whereas in others it may be necessary to go back and forth between the Phase and Level controls for a while in order to get the very best blend with the main speakers. Since each control setting (including the one for crossover frequency in the receiver or processor) affects the optimum settings for the others, it often takes a while to get everything dialed in just right. Start with the Phase control at 0° and play a recording with a prominent, repeating bass line in your listening position. Repeat this process with the control in the 90° and 180° positions. Use the setting that yields the greatest bass output.

General Comments About Adjustments: Since any change in the setting of one control tends to change the optimum settings for the others to some degree, the adjustment process is very interactive and involves a great deal of trial and error. If after a period of listening and calibration you are still not happy, it may mean that you need to experiment a little with the location of the subwoofer. That, of course, also interacts with everything else. Again, patience is a virtue. The end result will be well worth the effort.

CARE AND CLEANING

The only thing you should ever need to do to your subwoofer amplifier is to dust it occasionally. Never apply any abrasive or solvent-based cleaner or any harsh detergent.

WARRANTY — U.S. AND CANADA ONLY

The Warranty below is valid only for sales to consumers in the United States or Canada. KLIPSCH, L.L.C. (“KLIPSCH”) warrants this product to be free from defects in materials and workmanship (subject to the terms set forth below) for a period of five (5) years from the date of purchase. During the Warranty period, KLIPSCH will repair or replace (at KLIPSCH’s option) this product or any defective parts (excluding electronics and amplifiers). For products that have electronics or amplifiers, the Warranty on those parts is for a period of two (2) years from the date of purchase.

To obtain Warranty service, please contact the KLIPSCH authorized dealer from which you purchased this product. If your dealer is not equipped to perform the repair of your KLIPSCH product, it can be returned, freight paid, to KLIPSCH for repair. Please call KLIPSCH at 1-800-KLIPSCH for instructions. You will need to ship this product in either its original packaging or packaging affording an equal degree of protection.

Proof of purchase in the form of a bill of sale or receipted invoice, which is evidence that this product is within the Warranty period, must be presented or included to obtain Warranty service.

This Warranty is invalid if (a) the factory - applied serial number has been altered or removed from this product or (b) this product was not purchased from a KLIPSCH authorized dealer. You may call 1-800-KLIPSCH to confirm that you have an unaltered serial number and/or you purchased from a KLIPSCH authorized dealer.

This Warranty is only valid for the original purchaser and will automatically terminate prior to expiration if this product is sold or otherwise transferred to another party.

This Warranty does not cover cosmetic damage or damage due to misuse, abuse, negligence, acts of God, accident, commercial use or modification of, or to any part of, the product. This Warranty does not cover damage due to improper operation, maintenance or installation, or attempted repair by anyone other than KLIPSCH or a KLIPSCH dealer which is authorized to do KLIPSCH warranty work. Any unauthorized repairs will void this Warranty. This Warranty does not cover product sold AS IS or WITH ALL FAULTS.

REPAIRS OR REPLACEMENTS AS PROVIDED UNDER THIS WARRANTY ARE THE EXCLUSIVE REMEDY OF THE CONSUMER. KLIPSCH SHALL NOT BE LIABLE FOR ANY INCIDENTAL OR CONSEQUENTIAL DAMAGES FOR BREACH OF ANY EXPRESS OR IMPLIED WARRANTY ON THIS PRODUCT. EXCEPT TO THE EXTENT PROHIBITED BY LAW, THIS WARRANTY IS EXCLUSIVE AND IN LIEU OF ALL OTHER EXPRESS AND IMPLIED WARRANTIES WHATSOEVER, INCLUDING BUT NOT LIMITED TO, THE WARRANTY OF MERCHANTABILITY AND FITNESS FOR A PRACTICAL PURPOSE.

Some states do not allow the exclusion or limitation of incidental or consequential damages or implied warranties so the above exclusions may not apply to you. This Warranty gives you specific legal rights, and you may have other rights, which vary from state to state.

KA-1000-THX AMPLIFIER


WARRANTY OUTSIDE THE UNITED STATES AND CANADA

The Warranty on this product if it is sold to a consumer outside of the United States or Canada shall comply with applicable law and shall be the sole responsibility of the distributor that supplied this product. To obtain any applicable warranty service, please contact the dealer from which you purchased this product, or the distributor that supplied this product.

CONSIGNES DE SÉCURITÉ IMPORTANTES

1. LIRE ces instructions.
2. CONSERVER ces instructions.
3. RESPECTER tous les avertissements.
4. SUIVRE toutes les instructions.
5. NE PAS utiliser cet appareil à proximité de l'eau.
6. NETTOYER UNIQUEMENT avec un chiffon sec.
7. NE PAS OBSTRUER les orifices de ventilation. Installer conformément aux instructions du constructeur.
8. NE PAS installer à proximité de sources de chaleur telles que les radiateurs, les grilles de chauffage, les cuisinières et les autres appareils (notamment les amplificateurs) dégageant de la chaleur.
9. Cet appareil doit être branché sur une prise de courant par une fiche conforme aux normes locales de mise à la terre et de polarité électrique.
10. PROTÉGER le cordon d'alimentation en s'assurant qu'il ne risque pas d'être piétiné ou écrasé, en particulier près des fiches, des blocs multiprises et de son point de sortie de l'appareil.
11. UTILISER UNIQUEMENT les accessoires préconisés par le constructeur.
12. UTILISER exclusivement avec un chariot, un support, un trépied, une console ou un bâti recommandé par le fabricant ou vendu avec l'appareil. Lorsqu'un chariot est utilisé, faire preuve de prudence pour déplacer l'ensemble chariot/appareil afin d'éviter un renversement pouvant causer des blessures.
13. DÉBRANCHER cet appareil en cas d'orage ou lorsqu'il reste inutilisé pendant une longue durée.
14. CONFIER tout travail de dépannage à un réparateur professionnel compétent. Faire réparer l'appareil en cas de dommages, par exemple si la fiche ou le cordon d'alimentation a été endommagé, si un liquide a été renversé ou si un objet a pénétré à l'intérieur de l'appareil, si l'appareil a été exposé à la pluie ou à l'humidité, s'il ne fonctionne pas normalement ou si l'il a subi une chute.



 Ce symbole indique d'importantes instructions d'utilisation et d'entretien dans la documentation accompagnant cet appareil.



Ce symbole indique qu'une tension dangereuse présentant un risque d'électrocution est présente dans l'appareil.

AVERTISSEMENT : Pour réduire les risques d'incendie et d'électrocution, ne pas exposer cet appareil à la pluie ni à l'humidité.

AVERTISSEMENT : Les tensions présentes dans cet appareil peuvent être mortelles. Cet appareil ne contient pas de pièces pouvant être remplacées par l'utilisateur.

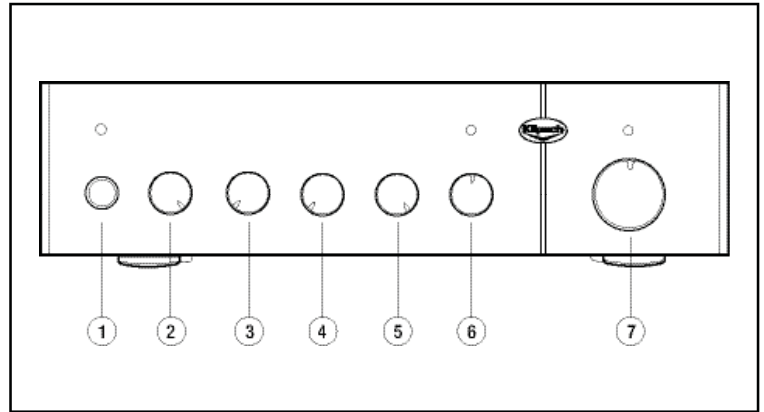
Tout travail de dépannage doit être confié à un réparateur professionnel compétent.



ATTENTION : Les changements ou modifications non expressément approuvés par le fabricant peuvent annuler le droit de l'utilisateur à utiliser cet appareil.

À PROPOS DE VOTRE ACHAT DE PRODUIT KLIPSCH

Merci d'avoir acheté un amplificateur d'extrêmes-graves Klipsch. Lorsque vous aurez lu ce manuel et raccordé le système, vous bénéficierez des résultats de plus de 55 ans d'études techniques rigoureuses et d'un programme supérieur de recherche et développement. Pour que nous puissions mieux vous servir, n'oubliez pas de remplir la fiche de garantie que vous trouverez à la fin de ce manuel ou en ligne sur www.klipsch.com. Encore une fois, merci d'avoir choisi Klipsch. Nous espérons que votre amplificateur d'extrêmes-graves vous permettra d'apprécier pleinement votre musique et vos films pendant de nombreuses années.



DÉBALLAGE

La manière la plus simple de retirer l'amplificateur de son carton d'emballage est de retourner celui-ci de façon à avoir le côté ouvert posé sur une table ou le sol, avec les rabats bien écartés. Puis enlevez le carton en le tirant vers le haut. Retirez tous les matériaux d'emballage autour de l'amplificateur et remettez-les dans le carton. Conservez le tout pour une expédition éventuelle future.

COMMANDES EN FACE AVANT

1. Interrupteur principal d'alimentation

L'interrupteur principal d'alimentation met l'amplificateur sous et hors tension. Outre cet interrupteur, le KA-1000-THX possède une fonction permettant la mise sous tension ou hors tension automatique de l'amplificateur, selon qu'un signal audio est détecté ou non. Un voyant indique l'état de l'amplificateur : ROUGE signifie qu'il est en veille et VERT qu'il est actif. Le voyant est éteint lorsque l'interrupteur principal d'alimentation est en position hors tension.

2. Mise sous/hors tension automatique

L'interrupteur de mise sous tension automatique possède deux positions : « On » (marche) et « Off » (arrêt). En position « Off », c'est l'interrupteur principal d'alimentation qui met l'amplificateur sous et hors tension. Si vous laissez l'interrupteur principal d'alimentation en position sous tension, l'amplificateur se met automatiquement sous tension ou hors tension, selon qu'un signal audio est détecté ou non. La fonction de mise sous/hors tension automatique est active après un délai de 2 secondes pour la mise sous tension et de 15 minutes pour la mise hors tension.

3. Réglage de phase

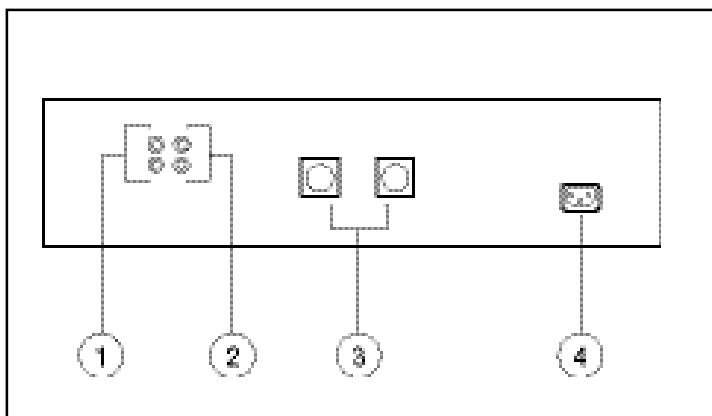
Effectué de façon continue entre 0° et 180°, le réglage de phase du KA-1000-THX permet un réglage fin des performances du système d'extrêmes-graves en optimisant la combinaison entre celui-ci et les enceintes principales. Cela revient à dire qu'il existe un réglage, dépendant de la disposition dans la pièce, pour lequel on constate une augmentation audible du niveau de graves.

4. Interrupteur de compensation de gain limite

L'interrupteur de compensation de gain limite permet un réglage fin de l'extrémité inférieure de la plage du système d'extrêmes-graves en fonction de son emplacement dans la pièce. Pour certains emplacements, l'extrémité inférieure de la réponse peut devenir exagérée ou caverneuse à cause de l'amplification résultant de l'acoustique de la pièce. Dans ce cas, sélectionnez la position « On » (marche) pour retrouver une réponse plus uniforme et moins caverneuse du système. Si vous utilisez un récepteur ou processeur THX® Ultra2™ et que vous avez sélectionné « Ultra2 » comme sous-réglage, mettez l'interrupteur de compensation de gain limite en position « Off » (arrêt).

5. Interrupteur THX

L'interrupteur THX permet de désactiver les réglages du filtre et du volume lors de l'utilisation d'un préamplificateur ou récepteur THX. En position « On » (marche), les réglages du filtre et du volume sont inactifs. (Dans cette configuration, le préamplificateur ou le récepteur assure ces fonctions.) En position « Off » (arrêt), les réglages du filtre et du volume fonctionnent normalement. Avant de changer la position de cet interrupteur, assurez-vous que le préamplificateur ou le récepteur est réglé au minimum.



6. Filtre passe-bas

Le réglage de filtre passe-bas permet de sélectionner la fréquence propre à laquelle le système d'extrêmes-graves se combine avec les enceintes principales. La valeur de ce réglage, comprise entre 40 et 120 Hz, doit être approximativement égale à la limite basse fréquence des enceintes principales gauche et droite. Dans un système THX, cette valeur est de 80 Hz. Si l'interrupteur THX est en position « On », ce réglage est inactif. Un voyant d'état indique si ce réglage est opérationnel : VERT pour actif et ROUGE pour inactif.

7. Réglage du volume

Le réglage du volume permet de régler le volume de l'amplificateur. Il est utilisé en liaison avec le réglage du niveau de sortie d'extrêmes-graves sur le préamplificateur ou le récepteur. Il sert à régler le volume général de sortie du système d'extrêmes-graves. Si l'interrupteur THX est en position « On », ce réglage est inactif. Un voyant d'état indique si ce réglage est opérationnel : VERT pour actif et ROUGE pour inactif.

ENTRÉES ET SORTIES EN FACE ARRIÈRE / RACCORDEMENT ET CONFIGURATION

Avant d'effectuer les raccordements, mettez l'amplificateur d'extrêmes-graves et le récepteur ou préamplificateur hors tension!

1. Entrée de niveau ligne

L'entrée de niveau ligne est constituée d'une paire de prises jack audio RCA. On peut en utiliser une seule ou les deux. (Utilisez un câble blindé de raccordement de caisson de graves, de haute qualité et de longueur suffisante, muni de fiches RCA à chaque extrémité. Votre détaillant peut vous aider à choisir un câble adéquat.) Cette entrée peut servir d'entrée de niveau ligne ou d'entrée LFE, selon la position de l'interrupteur THX. En position « On », le filtre passe-bas est inactif et l'entrée de niveau ligne fonctionne comme une entrée LFE non filtrée.

2. Sortie de niveau ligne

La sortie de niveau ligne est constituée d'une paire de prises jack audio RCA. On peut en utiliser une seule ou les deux. Cette sortie est une recopie non filtrée du signal d'entrée de niveau ligne. Elle peut servir au raccordement d'un second amplificateur KA-1000-THX ou au retour vers le système électronique, le cas échéant.

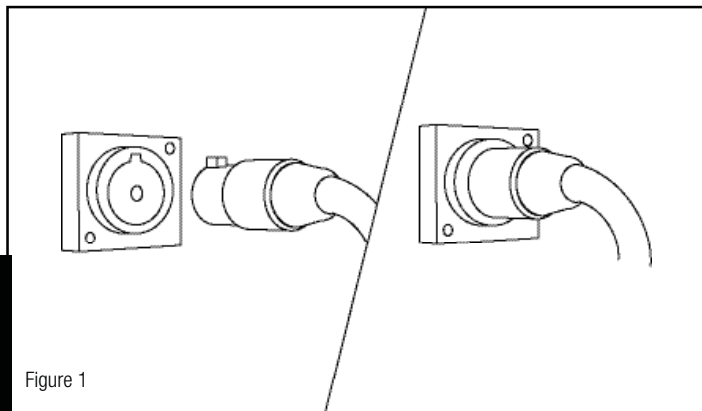


Figure 1

3. Sorties haut-parleurs

Les sorties haut-parleurs sont deux raccordements Speakon® NL2 de type professionnel. Il s'agit d'un raccordement simple, facile à utiliser, sûr et infailible. Il suffit d'aligner la languette du connecteur avec l'encoche de la prise de sortie, d'insérer le connecteur à fond, de le tourner

en sens horaire : le collier se verrouille (figure 1). Pour le retirer, tirez sur le collier et tournez-le en le maintenant en arrière, puis tirez le connecteur. Un raccordement identique est effectué à l'arrière du caisson de graves. Si vous utilisez deux caissons de graves KW-120-THX, raccordez le second de la même façon sur la seconde prise de sortie du KA-1000-THX. (Un câble de caisson de graves de six mètres homologué THX Ultra est fourni avec chaque caisson de graves KW-120-THX. S'il vous faut un câble plus long, adressez-vous à votre détaillant.)

4. Cordon d'alimentation secteur

Le raccordement au secteur se fait par un cordon d'alimentation amovible à trois bornes. Insérez le cordon d'alimentation dans cette prise, mettez l'interrupteur principal d'alimentation en position hors tension, puis branchez le cordon sur une prise de courant adéquate. Laissez l'interrupteur principal d'alimentation en position hors tension jusqu'à ce que tous les raccordements aient été effectués. (Pour le fonctionnement normal dans la plupart des systèmes, il est conseillé de laisser l'interrupteur principal d'alimentation en position sous tension et l'interrupteur de mise sous tension automatique en position « On ».)

RACCORDEMENT ET RÉGLAGE

Le KA-1000-THX est un amplificateur de puissance numérique de haut de gamme de classe D, homologué THX Ultra2, comprenant un filtre d'extrêmes-graves intégré. Il a été spécialement conçu pour permettre à un ou deux caissons de graves KW-120-THX d'atteindre la puissance de sortie maximale sans distorsion audible ni risque d'endommagement.

Malgré la simplicité des raccordements et des réglages de l'amplificateur, leur utilisation varie selon l'application du système d'extrêmes-graves. Des exemples de procédures d'installation sont indiqués ci-dessous : un pour les systèmes numériques et un pour les systèmes analogiques.

Raccordement à un processeur ou récepteur ambiophonique numérique / THX — Aujourd'hui, les processeurs et récepteurs ambiophoniques numériques Dolby Digital® et DTS®, ainsi que tous les modèles homologués THX, offrent des sorties d'extrêmes-graves de niveau ligne et des filtres d'extrêmes-graves intégrés. Si votre système est construit autour de l'un de ces appareils, il est presque toujours préférable d'utiliser le KA-1000-THX avec l'interrupteur THX en position « On ». Les réglages du filtre et du volume sont alors inactifs. Raccordez la sortie d'extrêmes-graves du récepteur ou du processeur aux deux prises jack d'entrée du KA-1000-THX ou à une seule (figure 2). Utilisez un câble blindé de raccordement de caisson de graves, de haute qualité et de longueur suffisante, muni de fiches RCA à chaque extrémité. Votre détaillant peut vous aider à choisir un câble adéquat.

N'oubliez pas de régler l'option Subwoofer du récepteur ou du processeur sur « On » ou « Yes » dans le menu de configuration des enceintes ; dans le cas d'un modèle homologué THX Ultra2, sélectionnez « Ultra2 » dans le menu Subwoofer.

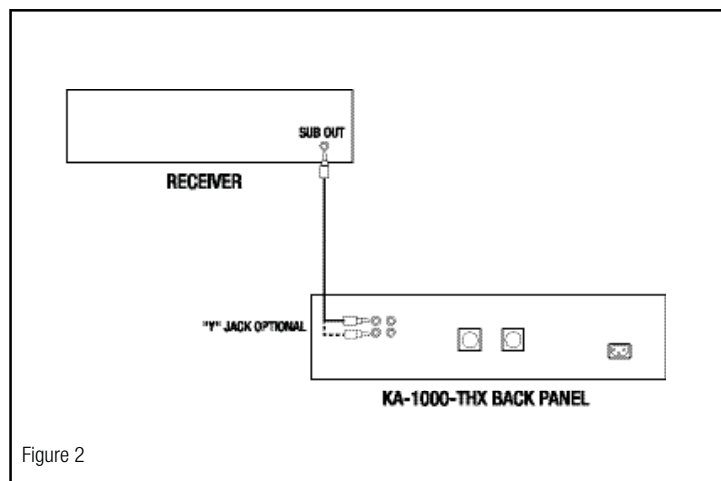


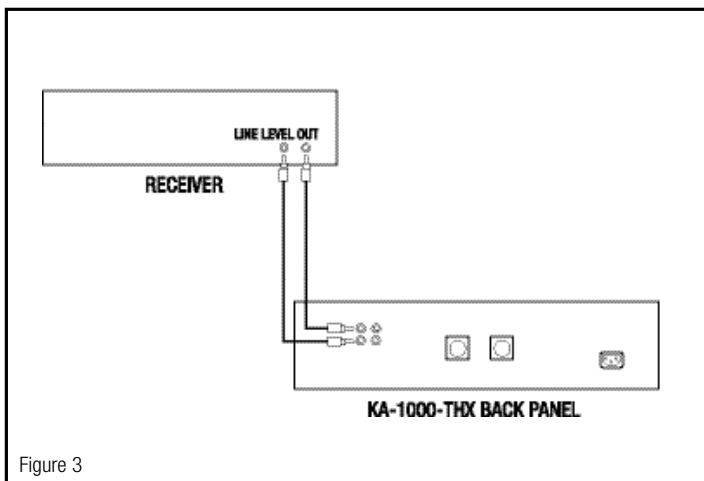
Figure 2

Outre la simple activation de la sortie d'extrêmes-graves, certains récepteurs et processeurs comportent des possibilités supplémentaires de gestion des graves. Pour obtenir plus de renseignements sur la façon de bien régler les paramètres de gestion des graves pour votre système, consultez le manuel d'utilisation de votre récepteur ou de votre processeur, ou bien adressez-vous à votre détaillant.

KA-1000-THX AMPLIFIER

Réglage du filtre – Si l'interrupteur THX est en position « On », comme suggéré pour ce type de configuration, le réglage du filtre ne fonctionne pas. Son voyant d'état est rouge, ce qui indique que ce réglage est inactif. Dans ce cas, le récepteur ou le processeur assure les fonctions de filtrage d'extrêmes-graves. Si vous utilisez le modèle KL-650-THX ou KL-525-THX comme enceintes avant, sélectionnez 80 Hz (THX) comme fréquence de coupure du filtre.

Réglage du volume – Si l'interrupteur THX est en position « On », comme suggéré pour ce type de configuration, le réglage du volume ne fonctionne pas. Son voyant d'état est rouge, ce qui indique que ce réglage est inactif. Dans ce cas, le récepteur ou le processeur assure les fonctions de volume d'extrêmes-graves.



Réglage de phase – Dans certaines installations, le réglage de phase peut ne pas faire de différence, tandis que dans d'autres, il peut être nécessaire d'aller et venir un certain temps entre le réglage de phase et celui du volume pour obtenir la meilleure des combinaisons avec les enceintes principales.

Étant donné que chaque réglage (y compris celui de la fréquence de coupure dans le récepteur ou le processeur) affecte l'optimisation des autres paramètres, le bon réglage de l'ensemble peut prendre un certain temps. Commencez par mettre le réglage de phase sur 0° et écoutez un enregistrement avec un contenu grave prédominant et répétitif à partir de la position normale d'écoute. Recommencez en réglant la phase à 90° puis à 180°. Utilisez le réglage offrant le niveau de graves le plus élevé.

Raccordement à un système stéréo à deux canaux ou à un processeur ou récepteur ambiophonique analogique / non THX – Certains récepteurs et processeurs audiovisuels (sans fonction Dolby Digital® ni DTS®) possèdent une sortie d'extrêmes-graves de niveau ligne. D'autres, ainsi que certains amplificateurs intégrés et récepteurs stéréo, possèdent des sorties de canaux gauche et droit de niveau ligne. Tous les processeurs ambiophoniques et préamplificateurs stéréo indépendants possèdent des sorties de niveau ligne. Si votre système est construit autour de l'un de ces appareils, il est presque toujours préférable d'utiliser le KA-1000-THX avec l'interrupteur THX en position « Off ».

Les réglages du filtre et du volume sont alors actifs. Ces types de sorties doivent être raccordés aux entrées de niveau ligne du KA-1000-THX (figure 3). Utilisez un ou deux câbles blindés de raccordement de haute qualité et de longueur suffisante, munis de fiches RCA à chaque extrémité. Votre détaillant peut vous aider à choisir des câbles adéquats.

- **Sortie extrêmes-graves** – Raccordez la sortie extrêmes-graves à l'une des entrées de niveau ligne du KA-1000-THX.
- **Sorties préamplificateur d'amplificateur intégré ou de récepteur** – Si votre amplificateur intégré ou récepteur possède des sorties préamplificateur disponibles pour les canaux avant gauche et droit, raccordez-les aux entrées de niveau ligne du KA-1000-THX.
- **Boucles « sortie préampli/entrée ampli principal » sur amplificateur intégré ou récepteur** – Sur certains amplificateurs intégrés et récepteurs, les étages de préamplification et d'amplification de puissance sont reliés par des cavaliers externes. Si les canaux avant gauche et droit sont raccordés de cette façon, vous pouvez raccorder le KA-1000-THX à ces sorties de préamplificateur. Utilisez pour cela une paire d'adaptateurs en Y, possédant chacun

deux fiches RCA mâles et une prise RCA femelle. Sur les deux canaux, retirez les cavaliers. Pour chaque canal, raccordez une branche de l'adaptateur en Y à la sortie du préamplificateur et l'autre à l'entrée de l'amplificateur principal. Raccordez aux extrémités femelles des adaptateurs en Y les câbles reliés au KA-1000-THX.

- **Processeur ambiophonique ou préamplificateur indépendant** – Utilisez une paire d'adaptateurs en Y, possédant chacun une fiche RCA mâle et deux prises RCA femelles. Débranchez du préamplificateur ou du processeur les câbles reliés aux sorties des canaux gauche et droit et raccordez-les aux adaptateurs en Y. Pour chaque canal, raccordez aux prises RCA de l'adaptateur en Y le câble relié à l'amplificateur de puissance et celui relié au KA-1000-THX.

Réglage du filtre – Si l'interrupteur THX est en position « Off », comme suggéré pour ce type de configuration, le réglage du filtre est activé. Son voyant d'état est vert, indiquant que ce réglage est actif. Réglez à environ la valeur de fréquence limite inférieure des enceintes avant gauche et droite. Si vous ne disposez pas de leurs caractéristiques, faites une estimation réaliste en fonction de la taille des enceintes. En général, une grande enceinte permet d'obtenir des fréquences plus basses qu'une petite. Vous pouvez donc commencer par un réglage de la fréquence de coupure à la valeur minimale de 40 Hz pour une grande enceinte posée au sol, et à la valeur maximale de 120 Hz pour une toute petite enceinte satellite. Pour les enceintes de bibliothèque, la plage est en général de 50 à 80 Hz. Si la fréquence du filtre passif est réglée à une valeur supérieure à 100 Hz, le caisson de graves doit être placé à l'avant de la pièce et à proximité des enceintes principales.

Réglage du volume – Si l'interrupteur THX est en position « Off », comme suggéré pour ce type de configuration, le réglage du volume est activé. Son voyant d'état est vert, indiquant que ce réglage est actif. Écoutez divers enregistrements musicaux contenant un niveau de graves important sans être prédominant. Réglez le volume du KA-1000-THX de façon à obtenir une musique chaleureuse et naturelle. Si vous avez des difficultés pour obtenir un niveau suffisant d'extrêmes graves sans pour autant rendre le son caverneux, la fréquence de coupure est probablement réglée à une valeur trop élevée. Essayez de la réduire légèrement jusqu'à ce que le problème disparaisse. Si le son est faible au point qu'il faille augmenter excessivement le volume d'extrêmes-graves et que ceux-ci deviennent trop importants, essayez de modifier le réglage de phase ou de compensation de gain limite. Si le problème persiste en partie, il faut probablement augmenter la fréquence de coupure.

Réglage de phase – Dans certaines installations, le réglage de phase peut ne pas faire de différence, tandis que dans d'autres, il peut être nécessaire d'aller et venir un certain temps entre le réglage de phase et celui du volume pour obtenir la meilleure des combinaisons avec les enceintes principales. Étant donné que chaque réglage (y compris celui de la fréquence de coupure dans le récepteur ou le processeur) affecte l'optimisation des autres paramètres, le bon réglage de l'ensemble peut prendre un certain temps. Commencez par mettre le réglage de phase sur 0° et écoutez de la position normale d'écoute un enregistrement avec un contenu grave prédominant et répétitif. Recommencez en réglant la phase à 90° puis à 180°. Utilisez le réglage offrant le niveau de graves le plus élevé.

Commentaires généraux à propos des réglages : Étant donné que toute modification d'un réglage a tendance à modifier dans une certaine mesure les valeurs optimales des autres paramètres, le processus de réglage est très interactif et implique beaucoup de tâtonnements. Si vous n'êtes toujours pas satisfait après avoir passé un moment à écouter et à régler, essayez de modifier un peu l'emplacement du caisson de graves. Bien entendu, cela entraîne une interaction avec tous les autres réglages. N'oubliez pas que la patience est une vertu. Le résultat final sera à la hauteur de vos efforts.

ENTRETIEN ET MAINTENANCE

L'entretien de l'amplificateur d'extrêmes-graves ne demande qu'un époussetage de temps en temps. N'utilisez jamais de produits de nettoyage abrasifs ou à base de solvant ni de détergents puissants.

THX et Ultra2 sont des marques de commerces ou des marques déposées de THX Ltd. Tous droits réservés.

GARANTIE À L'EXTÉRIEUR DES ÉTATS-UNIS ET DU CANADA

Si ce produit est vendu à l'extérieur des États-Unis et du Canada, la garantie doit être conforme aux lois en vigueur et n'engage que la responsabilité du distributeur qui a fourni ce produit. Pour obtenir un service en garantie, contactez le détaillant chez qui vous avez acheté ce produit ou le distributeur qui l'a fourni.

READWICHTIGE SICHERHEITSHINWEISE

1. LESEN Sie diese Anweisungen durch.
2. BEHALTEN Sie diese Anweisungen.
3. BEACHTEN Sie alle Warnhinweise.
4. FOLGEN Sie allen Anleitungen.
5. Verwenden Sie diese Geräte NICHT in der Nähe von Wasser.
6. Reinigen Sie sie NUR mit einem trockenen Tuch.
7. Blockieren Sie KEINE Lüftungsöffnungen. Installieren Sie die Geräte entsprechend den Herstelleranweisungen.
8. Installieren Sie sie NICHT in der Nähe von Wärmequellen wie Heizkörpern, Warmlufteintrittsöffnungen, Öfen oder anderen wärmeerzeugenden Geräten (einschließlich Verstärkern).
9. Dieses Gerät mit einem Stecker, der den örtlichen Vorschriften hinsichtlich Polarität und Erdung entspricht, an einer Steckdose anschließen.
10. VERMEIDEN Sie, dass das Netzkabel belastet oder geknickt wird, vor allem bei Steckern, Zusatzsteckdosen und beim Ausgang aus dem Gerät.
11. Verwenden Sie AUSSCHLIESSLICH vom Hersteller empfohlene Zusatzgeräte/Zubehör.
12. VERWENDEN Sie ausschließlich Wagen, Stände, Stative, Halterungen oder Tische, die vom Hersteller empfohlen oder mit dem Gerät verkauft wurden. Bei Verwendung eines Wagens sollten Sie vorsichtig sein, damit Wagen und Gerät nicht umkippen und Verletzungen verursachen.
13. TRENNEN Sie dieses Gerät bei Gewitter vom Netz, oder wenn es längere Zeit nicht benutzt wird.
14. Lassen Sie ALLE Wartungen von geschulten Kundendiensttechnikern durchführen. Eine Wartung ist nötig, wenn das Gerät auf irgendeine Weise beschädigt wurde, z.B. durch Schäden am Netzkabel oder -stecker, durch Verschütten von Flüssigkeiten, durch das Hineinfallen von Objekten, durch Regen oder Feuchtigkeit, wenn es nicht richtig funktioniert oder wenn es fallengelassen wurde.



Dieses Symbol weist darauf hin, dass die dieser Einheit beiliegenden Anleitungen wichtige Betriebs- und Wartungsanweisungen enthalten.



Dieses Symbol weist auf die Gefahr eines Stromschlags in dieser Einheit hin.

WARNUNG: Um die Gefahr eines Feuers oder Stromschlags zu verringern, ist dieses Gerät vor Regen oder Feuchtigkeit zu schützen.



WARNUNG: In diesem Gerät gibt es lebensgefährliche Stromspannung. Enthält keine durch den Benutzer zu wartenden Teile,

Lassen Sie alle Wartungen von geschulten Kundendiensttechnikern durchführen.

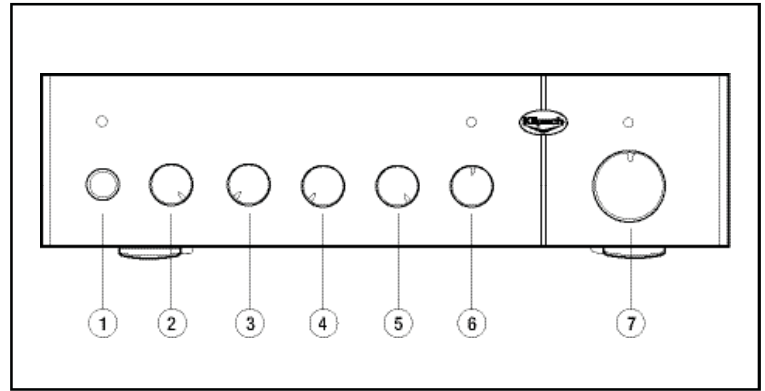
VORSICHT: Vom Hersteller nicht ausdrücklich genehmigte Änderungen oder Modifikationen können das Recht des Benutzers auf Betrieb des Geräts außer Kraft setzen.

ÜBER IHR KLIPSCH-PRODUKT

Vielen Dank, dass Sie einen Klipsch-Subwoofer-Verstärker gekauft haben. Nach der Lektüre dieses Handbuchs und dem Anschluss Ihres Systems werden Sie das Ergebnis von über 55 Jahren herausragender Technologie und führender Forschungs- und Entwicklungsarbeit hören können. Füllen Sie bitte die Garantiekarte auf der Rückseite dieses Handbuchs aus, oder tun Sie dies online bei www.klipsch.com, so dass wir Ihnen besser helfen können. Nochmals vielen Dank, dass Sie Klipsch gewählt haben. Wir hoffen, dass Ihr Subwoofer-Verstärker viele Jahre lang Ihre Musik und Ihre Filme zum Leben erwecken wird.

AUSPACKEN

Die einfachste Methode, den Verstärker aus dem Karton zu bringen, besteht darin, das offene Ende der Schachtel nach unten zu richten, so dass es auf einem Tisch oder dem Boden aufsitzt, wobei die Deckellaschen nach außen geklappt sind. Ziehen Sie dann den Karton direkt nach oben. Entfernen Sie das Verpackungsmaterial vom Verstärker, legen Sie es in den Karton, und heben Sie es für den Fall auf, dass Sie den Verstärker versenden müssen.



BEDIENUNGSELEMENTE VORNE

1. Haupt-Netzschalter Ein/Aus

Der Haupt-Netzschalter schaltet den Verstärker ein und aus. Neben dem Haupt-Netzschalter verfügt der KA-1000-THX über eine automatische Ein/Aus-Schaltung, die den Verstärker automatisch ein und aus schaltet, wenn ein Audiosignal entdeckt wird. Eine LED zeigt den Status des Verstärkers an – ROT zeigt, dass der Verstärker im Standby-Modus ist, GRÜN vorweist auf einen aktiven Verstärker. Wenn der Netzschalter auf „OFF“ steht, leuchtet die LED nicht auf.

2. Automatische Ein/Aus-Schaltung

Die automatische Ein/Aus-Schaltung hat zwei Einstellungen – „ON“ und „OFF“. In der Position OFF schaltet der Haupt-Netzschalter den Verstärker ein und aus. Wenn Sie den Haupt-Netzschalter in der ON-Stellung lassen und die automatische Ein/Aus-Schaltung auf ON stellen, schaltet sich der Verstärker automatisch ein und aus, wenn ein Audiosignal entdeckt wird. Bei der Verwendung der automatischen Ein/Aus-Schaltung gibt es eine 2-Sekunden-Verzögerung beim Einschalten und eine 15-Minuten-Verzögerung beim Ausschalten.

3. Phasenregelung

Der Phasenregler des KA-1000-THX verläuft kontinuierlich von 0 bis 180 Grad. Dieser Regler ermöglicht es Ihnen, die Leistung Ihres Subwoofers einzustellen, indem Sie die Mischung zwischen den Hauptlautsprechern anpassen. Generell führt eine der Positionen zu einer hörbaren Steigerung der Bassleistung, je nach der Platzierung im Raum.

4. Boundary Gain Compensation On/Off (Grenzverstärkungskompensation Ein/Aus)

Dieser Schalter ermöglicht es Ihnen, die Tiefbassleistung Ihres Subwoofer-Systems je nach der Platzierung im Raum einzustellen. An manchen Stellen im Raum kann der Tiefbass Ihres Subwoofers aufgrund der Verstärkung durch die Raumakustik übertrieben oder dröhnend klingen. Wenn Sie in diesem Fall die Position „On“ wählen, wird der Systemklang flacher und weniger dröhnend. Wenn Sie einen THX® Ultra2™ Receiver oder Prozessor verwenden und für die Subwoofer-Einstellung „Ultra2“ gewählt haben, sollte der Schalter auf „Off“ gestellt werden.

5. THX Ein/Aus

Der THX-Schalter ermöglicht es, die Crossover- und Pegelregler zu umgehen, wenn Sie einen THX-Vorverstärker oder Receiver verwenden. In der Stellung „On“ bleiben die Crossover- und Pegelregler wirkungslos. (In dieser Konfiguration übernehmen der Vorverstärker oder Receiver diese Funktionen). In der Stellung „Off“ funktionieren die Crossover- und Pegelregler normal. Vergewissern Sie sich, dass die Lautstärke an Ihrem Vorverstärker oder Receiver niedrig eingestellt ist, bevor Sie die Einstellung dieses Schalters ändern.

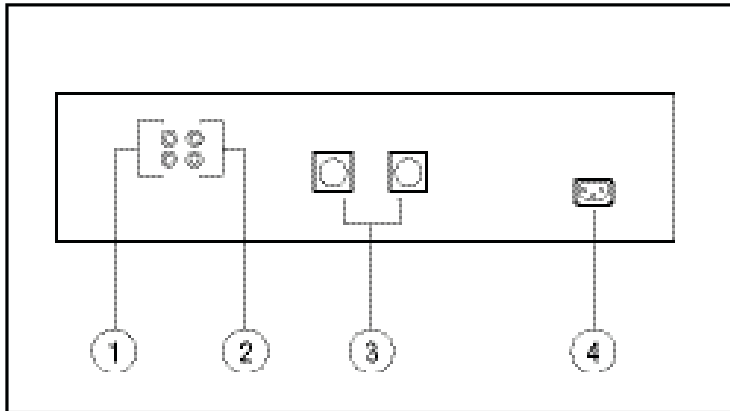
6. Tiefpass-Crossover

Der Tiefpass-Crossover-Regler erlaubt es Ihnen, die richtige Frequenz zu wählen, bei der das Subwoofer-System sich mit den Hauptlautsprechern integriert. Der Wert ist zwischen 40 und 120 Hz einstellbar. Sie sollten diesen Regler ungefähr auf die Bassfrequenzgrenze Ihrer linken und rechten Hauptlautsprecher einstellen. Bei einem THX-System wäre diese Einstellung 80 Hz. Wenn der THX-Regler auf „On“ steht, funktioniert dieser Regler nicht. Eine LED-Statusanzeige gibt an, ob dieser Regler wirksam ist – GRÜN bedeutet aktiv, während ROT auf einen deaktivierten Regler hinweist.

7. Pegelregler

Der Pegelregler ist die Lautstärkeeinstellung für den Verstärker. Er wird zusammen mit dem Subwoofer-Ausgangsregler an Ihrem Vorverstärker oder Receiver verwendet. Er dient zur Einstellung des Gesamtausgangspegels Ihres Subwoofer-Systems. Wenn der THX-Regler auf „On“ steht, funktioniert dieser Regler nicht. Eine LED-Statusanzeige gibt an, ob dieser Regler wirksam ist – GRÜN bedeutet aktiv, während ROT auf einen deaktivierten Regler hinweist.

KA-1000-THX AMPLIFIER



HINTERES FELD EIN- UND AUSGÄNGE / ANSCHLUSS UND SETUP

Stellen Sie nur dann Anschlüsse her, wenn der Strom sowohl am Subwoofer-Verstärker als auch am Receiver oder Vorverstärker ausgeschaltet ist!

1. Line-Level-Eingang

Der Line-Level-Eingang besteht aus zwei goldbeschichteten RCA-Phonobuchsen. Es können einer oder beide verwendet werden. (Verwenden Sie ein abgeschirmtes Qualitätskabel passender Länge mit Cinch-Steckern an beiden Enden zum Anschluss des Subwoofers. Ihr Fachhändler kann Sie bei der Auswahl eines passenden Kabels beraten.) Dieser Eingang kann entweder als Line-Level-Eingang oder als LFE-Eingang dienen, je nach der Position des THX-Ein/Aus-Schalters. Wenn THX auf „On“ steht, wird der Tiefpass-Crossover übergangen, und der Line-Level-Eingang fungiert de facto als ungefilterter LFE-Eingang.

2. Line-Level-Ausgang

Der Line-Level-Ausgang besteht aus zwei goldbeschichteten RCA-Phonobuchsen. Es können einer oder beide verwendet werden. Dieser Ausgang ist ein ungefilterter Passthrough des Line-Level-Eingangssignals. Er kann dazu verwendet werden, einen zweiten KA-1000-THX-Verstärker anzuschließen, oder ggf. an Ihre Elektronik zurückverbunden werden.

3. Lautsprecherpegel-Ausgänge

Die Lautsprecherpegel-Ausgänge sind professionelle Speakon® NL2-Anschlüsse. Es handelt sich um eine einfach zu benutzende, sichere und kinderleichte Verbindung. Sie müssen nur die Nase am Stecker am Schlitz an der Ausgangsbuchse ausrichten, den Stecker voll einstecken, ihn im Uhrzeigersinn drehen, und die Manschette wird arretiert (Abb. 1). Um ihn herauszunehmen, ziehen Sie die Manschette zurück, halten sie, drehen sie dann gegen den Uhrzeigersinn und ziehen sie heraus. Dieser Anschluss ist auch auf der Rückseite des Subwoofer-Gehäuses zu finden. Wenn Sie zwei KW-120-THX-Subwoofer verwenden, schließen Sie den zweiten auf gleiche Weise an den zweiten Ausgang des KA-1000-THX an. (Mit jedem KW-120-THX-Subwoofer-Gehäuse wird ein 6 m langes, das THX Ultra-zertifiziert ist, ausgeliefert. Kontaktieren Sie Ihren Fachhändler, falls Sie ein längeres Kabel benötigen.)

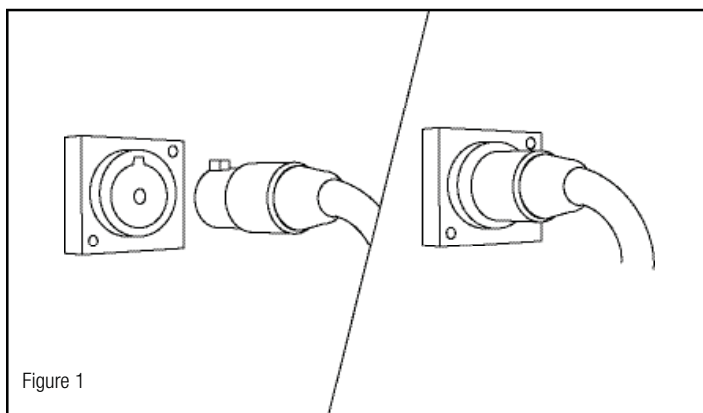


Figure 1

4. Netzkabel

Der Netzanschluss verwendet ein abnehmbares Netzkabel mit drei Stiften. Stecken Sie das Kabel in diese Buchse, stellen Sie den Haupt-Netzschalter auf „Off“ und stecken Sie das Netzkabel in eine geeignete Wandsteckdose. Lassen Sie den Haupt-Netzschalter ausgeschaltet, bis alle Anschlüsse vorgenommen wurden. (Wir empfehlen, den Haupt-Netzschalter und die automatische Ein/Aus-Schaltung beim normalen Betrieb für die meisten Systeme auf „On“ zu lassen.)

ANSCHLÜSSE UND EINSTELLUNGEN

Der KA-1000-THX ist ein THX Ultra2-zertifizierter digitaler Endverstärker der Klasse D mit einem eingebauten Subwoofer-Crossover. Er ist speziell für den Betrieb von einem oder zwei KW-120-THX-Subwoofern bei maximaler Leistung ohne hörbare Verzerrung oder Risiko der Beschädigung konzipiert. Obwohl die Anschlüsse und Regler des Verstärkers einfach sind, unterscheidet sich ihre Verwendung je nach der Anwendung des Subwoofer-Systems etwas. In den folgenden Abschnitten werden typische Setup-Verfahren beschrieben – eines für digitale Systeme, und eines für analoge Systeme.

Anschluss für THX / Digitaler Surround-Receiver oder Prozessor – Moderne digitale Dolby Digital® und DTS® Surround-Receiver und Prozessoren sowie alle THX-zertifizierten Modelle verfügen über Line-Level-Subwoofer-Ausgänge und eingebaute Subwoofer-Crossovers. Wenn Ihr System auf einer dieser Technologien basiert, wird es fast immer empfehlenswert sein, den KA-1000-THX mit dem THX-Schalter in der Position „On“ zu verwenden. Dies umgeht die

Crossover- und Pegelregler. Verbinden Sie den Subwoofer-Ausgang am Receiver oder Prozessor mit einer Eingangsbuchse des KA-1000-THX, oder beiden (Abb. 2). Verwenden Sie ein abgeschirmtes Qualitätskabel passender Länge mit Cinch-Steckern an beiden Enden zum Anschluss des Subwoofers. Ihr Fachhändler kann Sie bei der Auswahl eines passenden Kabels beraten. Sie sollten das Lautsprecher-Setup-Menü Ihres Receivers oder Prozessors aufrufen und den Subwoofer auf „On“ (Ein) oder „Yes“ (Ja) einstellen, oder bei einem THX Ultra2-zertifizierten Modell im Subwoofer-Menü „Ultra2“ wählen. Möglicherweise verfügt Ihr Receiver oder Prozessor über weitere Bass-Management-Funktionen, die über das einfache Aktivieren des Subwoofer-Ausgangs hinausgehen. Weitere Informationen über die richtigen Bass-Management-Funktionen können Sie im Benutzerhandbuch Ihres Receivers oder Prozessors finden, oder lassen Sie sich von Ihrem Fachhändler beraten.

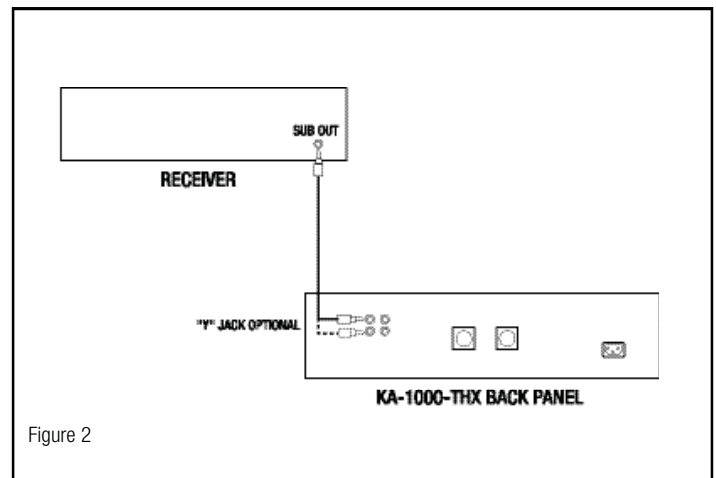


Figure 2

Crossover-Einstellung – Wenn der THX-Schalter auf „On“ steht (was für diesen Setup-Typ empfohlen wird), funktioniert der Crossover-Regler nicht. Die Status-LED ist rot, was anzeigt, dass dieser Regler deaktiviert ist. In dieser Situation übernimmt Ihr Receiver oder Prozessor die Crossover-Funktionen für den Subwoofer. Wählen Sie die 80-Hz-Crossover-Frequenz (THX), wenn Sie entweder den KL-650-THX oder den KL-525-THX als vordere Lautsprecher verwenden.

Pegelregler – Wenn der THX-Schalter auf „On“ steht (was für diesen Setup-Typ empfohlen wird), funktioniert der Pegelregler nicht. Die Status-LED ist rot, was anzeigt, dass dieser Regler deaktiviert ist. In dieser Situation übernimmt Ihr Receiver oder Prozessor die Lautstärkeregel-Funktionen für den Subwoofer.

Phasenregler – Bei manchen Systemen macht die Einstellung des Phasenreglers keinen großen Unterschied, doch bei anderen müssen Sie die Phasen- und Lautstärkeregel wiederholt anpassen, bis Sie die beste Mischung mit den Hauptlautsprechern erreicht haben. Da jede Einstellung (einschließlich der am Receiver oder Prozessor gewählten Crossover-Frequenz) die optimale Einstellung der anderen Werte beeinflusst, dauert es oft eine Weile, bis alles richtig festgelegt ist. Lassen Sie zunächst den Phasenregler bei 0° und hören Sie sich in Ihrer üblichen Hörposition eine Aufnahme mit einem deutlichen, sich wiederholenden Bass an. Wiederholen Sie diesen Vorgang mit einem auf 90° bzw. 180° eingestellten Phasenregler. Verwenden Sie die Einstellung mit der besten Bassleistung.

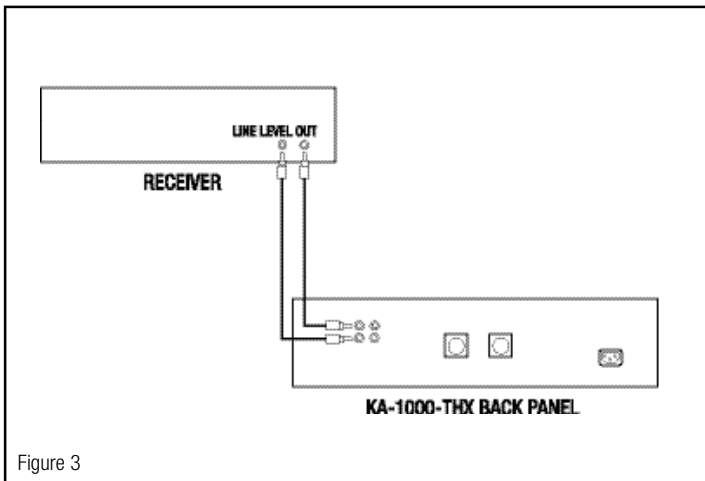


Figure 3

Anschluss für Nicht-THX / Analog-Surround-Receiver/-Prozessor oder Zweikanal-Stereosystem – Manche analogen A/V-Receiver und -Prozessoren (ohne Dolby Digital® oder DTS® Fähigkeit) besitzen einen Line-Level-Subwoofer-Ausgang. Andere verfügen über Line-Level-Ausgänge für den linken und rechten Kanal, ebenso manche Stereo-Receiver und integrierte Verstärker. Alle separaten Stereo-Vorverstärker und Surround-Prozessoren besitzen Line-Level-Ausgänge. Wenn Ihr System auf einer dieser Technologien basiert, wird es fast immer empfehlenswert sein, den KA-1000-THX mit dem THX-Schalter in der Position „Off“ zu verwenden. Dies aktiviert die Crossover- und Pegelregler. Diese Arten von Ausgängen sollten mit den Line-Level-Eingängen des KA-1000-THX verbunden werden (Abb. 3). Verwenden Sie zum Anschluss ein oder zwei abgeschirmte Qualitätskabel passender Länge mit Cinch-Steckern an beiden Enden. Ihr Fachhändler kann Sie bei der Auswahl passender Kabel beraten.

- **Subwoofer-Ausgang** – Verbinden Sie den Subwoofer-Ausgang mit einem der Line-Level-Eingänge am KA-1000-THX.
- **Vorverstärkerausgänge an einem Receiver oder integrierten Verstärker** – Wenn Ihr Receiver oder integrierter Verstärker freie Vorverstärkerausgänge für die vorderen linken und rechten Kanäle hat, verbinden Sie diese mit den Line-Level-Eingängen am KA-1000-THX.
- **Pre-Out/Main-In-Schleifen am Receiver oder integrierten Verstärker** – Die Vorverstärker- und Endstufen mancher Receiver und integrierter Verstärker werden extern über Brücken verbunden. Wenn bei Ihrem Gerät die vorderen linken und rechten Kanäle derartig verbunden sind, können Sie den KA-1000-THX an diese Vorverstärkeranschlüsse anschließen. Sie benötigen hierzu zwei Y-Kabel, die jeweils zwei Cinch-Stecker und eine RCA-Buchse besitzen. Entfernen Sie die Brücke für die zwei Kanäle. Stecken Sie für jeden Kanal eine Hälfte des Y-Kabels in den Vorverstärkeranschluss und die andere in den Hauptverstärkereingang. Stecken Sie jeweils die zum KA-1000-THX führenden Kabel in die Buchse am Y-Kabel.
- **Separater Vorverstärker oder Surround-Prozessor** – Sie benötigen hierzu zwei Y-Kabel, die jeweils einen Cinch-Stecker und zwei RCA-Buchsen besitzen. Ziehen Sie die Kabel an den Ausgängen für den vorderen linken und rechten Kanal am Vorverstärker oder Prozessor heraus und stecken Sie die Y-Kabel dort ein. Stecken Sie bei jedem Kanal das zum Endverstärker verlaufende Kabel in eine der RCA-Buchsen am Y-Kabel und das zum KA-1000-THX führende Kabel in die andere.

Crossover-Einstellung – Wenn der THX-Schalter auf „Off“ steht (was für diesen Setup-Typ empfohlen wird), wird der Crossover-Regler aktiviert. Die Status-LED ist grün, was anzeigt, dass dieser Regler aktiviert ist. Sie sollten diesen Regler ungefähr auf die Bassfrequenzgrenze Ihrer linken und rechten vorderen Lautsprecher einstellen. Wenn Ihnen diese Werte unbekannt sind, verwenden Sie auf der Basis der Lautsprechergrößen basierende Schätzwerte. Ein großer Lautsprecher kann meist tiefere Frequenzen erreichen als ein kleiner. Bei einem großen Standlautsprecher können Sie vielleicht mit einer Crossover-Frequenz von 40 Hz anfangen, während Sie für sehr kleine Satellitenlautsprecher einen Wert von 120 Hz wählen sollten. Typische Regallautesprecher wären meist im Bereich von 50 Hz bis 80 Hz. Wenn die Crossover-Frequenz höher als 100 Hz ist, sollte sich der Subwoofer vorne im Raum in der Nähe der vorderen Hauptlautsprecher befinden.

Pegelregler – Wenn der THX-Schalter auf „Off“ steht (was für diesen Setup-Typ empfohlen wird), wird der Pegelregler aktiviert. Die Status-LED ist grün, was anzeigt, dass dieser Regler aktiv ist. Spielen Sie eine Reihe von Aufnahmen mit starkem aber nicht übertriebenen Bassanteil ab. Verstellen Sie den Pegelregler des KA-1000-THX, bis die Musik durchgehend warm und natürlich klingt. Wenn Sie Probleme haben, den Bass tief genug zu bekommen, ohne dass der Sound dröhnend wird, bedeutet das wahrscheinlich, dass der Crossover-Regler zu hoch eingestellt ist. Stellen Sie ihn allmählich niedriger ein, bis das Problem gelöst ist. Wenn der Sound zu dünn klingt, bis Sie den Subwoofer-Pegel so hochdrehen, dass der Tiefbass zu sehr in den Vordergrund tritt, sollten Sie zunächst die Regler für die Phasen- oder Grenzverstärkungskompensation anders einstellen. Wenn dadurch das Problem nicht ganz gelöst wird, müssen Sie wahrscheinlich die Crossover-Frequenz anheben.

Phasenregler – Bei manchen Systemen macht die Einstellung des Phasenreglers keinen großen Unterschied, doch bei anderen müssen Sie die Phasen- und Lautstärkeregel wiederholt anpassen, bis Sie die beste Mischung mit den Hauptlautsprechern erreicht haben. Da jede Einstellung (einschließlich der am Receiver oder Prozessor gewählten Crossover-Frequenz) die optimale Einstellung der anderen Werte beeinflusst, dauert es oft eine Weile, bis alles richtig festgelegt ist. Lassen Sie zunächst den Phasenregler bei 0° und hören Sie sich in Ihrer üblichen Hörposition eine Aufnahme mit einem deutlichen, sich wiederholenden Bass an. Wiederholen Sie diesen Vorgang mit einem auf 90° bzw. 180° eingestellten Phasenregler. Verwenden Sie die Einstellung mit der besten Bassleistung.

Allgemeine Hinweise zu den Einstellungen: Da jede Veränderung eines Reglers die optimale Einstellung der anderen Werte in gewissem Umfang beeinflusst, ist der Einstellungsvorgang sehr interaktiv und erfordert viel Versuch und Irrtum. Wenn Sie eine Weile zugehört und das System kalibriert haben und immer noch unzufrieden sind, sollten Sie vielleicht versuchen, die Position des Subwoofers zu verändern. Das hat natürlich wiederum Einfluss auf alles andere. Sie müssen also Geduld haben. Das Endergebnis ist auf jeden Fall die Mühe wert.

PFLEGE UND REINIGUNG

Die einzig nötige Pflege Ihres Subwoofer-Verstärkers besteht darin, ihn gelegentlich abzusaugen. Verwenden Sie nie Scheuermittel, Lösungsmittel enthaltende oder aggressive Reinigungsmittel.

THX und Ultra2 sind Marken oder eingetragene Marken von THX Ltd. Alle Rechte vorbehalten.

AUSSERHALB DER USA UND KANADA

Falls dieses Produkt an Kunden außerhalb der USA oder Kanada verkauft wurde, entspricht die Garantie für dieses Produkt dem jeweils geltenden Recht und liegt ausschließlich in der Verantwortung des Distributors, der dieses Produkt geliefert hat. Zur Inanspruchnahme von Garantieleistungen den Händler, der dieses Produkt verkauft hat, oder den Distributor, der dieses Produkt geliefert hat, kontaktieren.

KA-1000-THX AMPLIFIER

ISTRUZIONI IMPORTANTI DI SICUREZZA

1. LEGGERE queste istruzioni.
2. CONSERVARE queste istruzioni.
3. ATTENERSI a tutte le avvertenze.
4. SEGUIRE tutte le istruzioni.
5. NON usare questa apparecchiatura vicino all'acqua.
6. PULIRE SOLO con un panno asciutto.
7. NON ostruire le aperture di raffreddamento. Installare secondo le istruzioni del produttore.
8. NON installare accanto a fonti di calore quali radiatori, bocchette di impianti di riscaldamento ad aria, stufe o altri apparecchi che generano calore (inclusi altri amplificatori).
9. Questo apparecchio deve essere collegato a una presa di corrente mediante l'uso di una spina che sia conforme alle norme locali in merito a polarità elettrica e messa a terra.
10. PROTEGGERE il cavo di alimentazione ed evitare di camminarci sopra e di piegarlo, soprattutto in prossimità delle spine, delle prese e del punto in cui è collegato all'apparecchio.
11. USARE ESCLUSIVAMENTE gli accessori specificati dal produttore.
12. USARE l'apparecchio solo con carrelli, basi, cavalletti, staffe o piani specificati dal produttore o venduti con il dispositivo. Se si usa l'apparecchio su un carrello, spostarlo con cautela per evitare gli infortuni causati da un eventuale ribaltamento.
13. SCOLLEGARE il dispositivo dall'alimentazione elettrica durante i temporali o se non viene usato per periodi prolungati.
14. RIVOLGERSI a personale qualificato per qualsiasi intervento di assistenza. Tali interventi sono necessari se l'apparecchio è stato danneggiato, come nel caso di danni al cavo di alimentazione o alla spina, infiltrazione di liquidi o penetrazione di oggetti nel dispositivo, o nel caso in cui l'apparecchio sia stato esposto a pioggia o umidità, funzioni in modo anomalo o sia stato fatto cadere.



Questo simbolo indica che la documentazione fornita con l'unità contiene istruzioni importanti riguardanti l'uso e la manutenzione.



Questo simbolo segnala la presenza di tensioni pericolose nel dispositivo, con conseguente rischio di scosse elettriche.

AVVERTENZA – Per ridurre il rischio di incendi o scosse elettriche, non esporre questo apparecchio né alla pioggia né all'umidità.

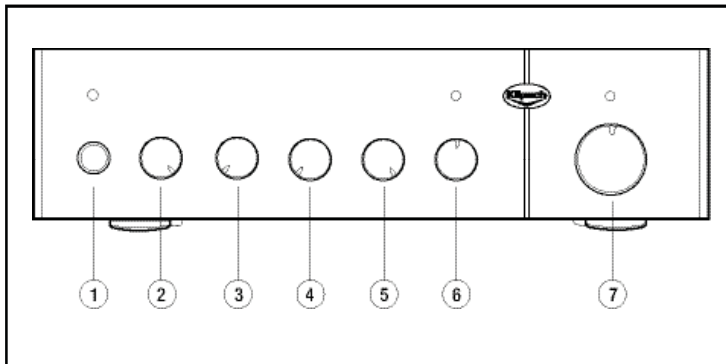


AVVERTENZA – Questo apparecchio usa tensioni pericolose. All'interno non ci sono parti riparabili dall'utente. Rivolgersi a personale qualificato per qualsiasi intervento di assistenza.

ATTENZIONE – In caso di alterazioni o modifiche non espressamente approvate dal produttore, all'utente può essere revocata la facoltà di utilizzare il dispositivo.

INFORMAZIONI SULL'ACQUISTO DEL PRODOTTO KLIPSCH

Grazie per aver acquistato un amplificatore per subwoofer Klipsch. Dopo la lettura di questo manuale e del collegamento il sistema, l'amplificatore sarà pronto per fornire le prestazioni garantite da oltre 55 anni di progettazione rigorosa e di ricerca e sviluppo all'avanguardia. Per permetterci di assistere al meglio i nostri clienti, chiediamo di compilare la cedola per la garanzia sul retro del manuale o di registrare il prodotto online, al sito www.klipsch.com. Grazie ancora per aver scelto Klipsch: questo amplificatore per subwoofer garantirà musica ed effetti sonori di altissima qualità per molti anni.



DISIMBALLAGGIO

Per estrarre l'amplificatore dall'imballaggio, aprire la scatola e capovolverla in modo che la parte aperta sia appoggiata su un tavolo o sul pavimento, e i lembi della scatola siano aperti verso l'esterno. Sollevare la scatola e allontanarla dall'amplificatore. Rimuovere dall'amplificatore il materiale di imballaggio e rimetterlo nella scatola per conservarlo nel caso in cui l'apparecchio debba essere spedito in futuro.

COMANDI DEL PANNELLO ANTERIORE

1. Interruttore di alimentazione generale

L'interruttore di alimentazione generale accende e spegne l'amplificatore. Oltre a questo interruttore, l'amplificatore KA-1000-THX dispone di una funzione di alimentazione automatica, che permette al dispositivo di accendersi e spegnersi automaticamente al rilevamento di un segnale audio. Un LED indica lo stato corrente dell'amplificatore: è ROSSO quando l'apparecchio è in modalità di attesa e VERDE quando l'amplificatore è attivo. Il LED è spento quando l'interruttore di alimentazione generale è in posizione "Off".

2. Interruttore di alimentazione automatica

L'interruttore di alimentazione automatica ha due posizioni: "On" e "Off". Nella posizione "Off", è l'interruttore di alimentazione generale che accende e spegne l'amplificatore. Lasciando l'interruttore generale acceso e portando l'interruttore di alimentazione automatica in posizione "On", l'amplificatore può accendersi e spegnersi automaticamente al rilevamento di un segnale audio. Questa funzione prevede un ritardo di accensione di 2 secondi e un ritardo di spegnimento di 15 minuti.

3. Comando di fase

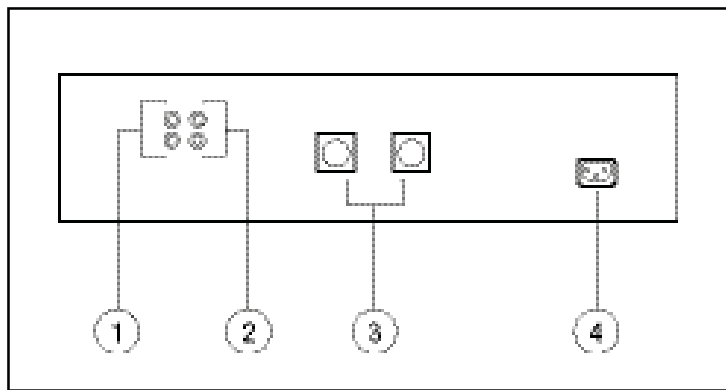
Il comando di fase del KA-1000-THX è a regolazione variabile tra 0 e 180 gradi, e consente di mettere a punto le prestazioni del subwoofer, ottimizzando il messaggio con gli altoparlanti principali. In altre parole, è possibile trovare la regolazione che permette di aumentare il livello percepito dell'uscita dei bassi; tale regolazione dipenderà dalla collocazione del subwoofer nella stanza.

4. Interruttore di compensazione del guadagno di pressione

L'interruttore di compensazione del guadagno di pressione consente di mettere a punto la gamma low-end del subwoofer in base alla sua collocazione nella stanza. In alcune sistemazioni, la risposta in gamma bassa del subwoofer può risultare esagerata o rimbombante a causa dell'effetto di amplificazione provocato dall'acustica della stanza. In questo caso, portando l'interruttore di compensazione in posizione "On", la risposta del sistema viene "appiattita" e i bassi sono meno rimbombanti. Se si usa un ricevitore o processore THX® Ultra2™ e il subwoofer è impostato su "Ultra2", l'interruttore di compensazione del guadagno di pressione deve essere in posizione "Off".

5. Interruttore THX

L'interruttore THX consente di bypassare i comandi di crossover e del livello quando si usa un preamplificatore o un ricevitore THX. Con l'interruttore in posizione "On", i comandi di crossover e del livello non sono attivi, e il preamplificatore o il ricevitore eseguono tali funzioni. Con l'interruttore in posizione "Off", i comandi di crossover e del livello funzionano normalmente. Accertarsi che il volume del preamplificatore o del ricevitore sia al minimo prima di agire sull'interruttore.



6. Crossover passa basso

Il comando di crossover passa basso permette di selezionare la frequenza ottimale di missaggio del subwoofer con gli altoparlanti principali. La gamma di selezione è di 40-120 Hz. Si consiglia di regolare questo comando approssimativamente al limite di bassa frequenza degli altoparlanti principali destro e sinistro. In un sistema THX, questa impostazione sarebbe 80 Hz. Se l'interruttore THX è su "On", questo comando non è operativo. Il sistema include un LED di stato che indica l'operatività del comando: è VERDE quando il comando è attivo e ROSSO se è stato bypassato.

7. Comando del livello

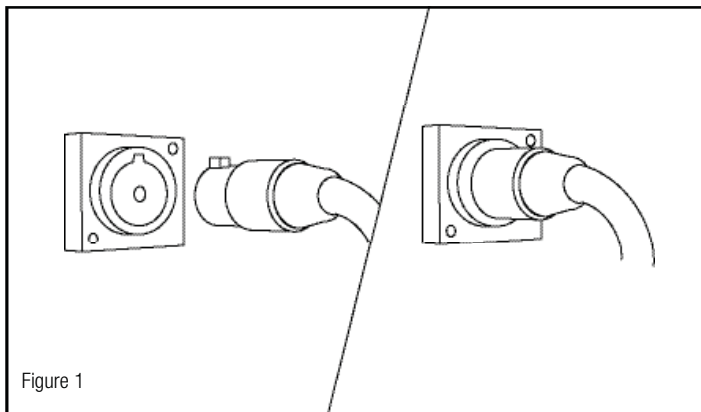
Questo comando regola il volume dell'amplificatore e viene usato insieme con il comando del livello di uscita del subwoofer sul preamplificatore o sul ricevitore. Serve per regolare il livello generale dell'uscita subwoofer del sistema. Se l'interruttore THX è su "On", questo comando non è operativo. Il sistema include un LED di stato che indica l'operatività del comando: è VERDE quando il comando è attivo e ROSSO se è stato bypassato.

INGRESSI E USCITE DEL PANNELLO POSTERIORE / COLLEGAMENTI E CONFIGURAZIONE

È assolutamente necessario aver TOLTO alimentazione sia all'amplificatore del subwoofer che al ricevitore o preamplificatore prima di effettuare qualunque collegamento.

1. Ingresso del livello di linea

L'ingresso del livello di linea consta di due prese jack fono RCA placcate oro. È possibile usarle una alla volta o assieme. (Adoperare un cavo di interconnessione per subwoofer schermato, di alta qualità, della lunghezza appropriata e provvisto di spine RCA ad entrambe le estremità. Il rivenditore è in grado di assistere gli utenti nella scelta del cavo più adatto.) Questo ingresso può avere funzione di ingresso del livello di linea o di ingresso LFE, a seconda della posizione dell'interruttore THX. Quando questo è su "On", il crossover passa basso risulta bypassato e l'ingresso del livello di linea ha funzione di ingresso LFE non filtrato.



2. Uscita del livello di linea

L'uscita del livello di linea comprende due prese jack fono RCA placcate oro. È possibile usarle una alla volta o assieme. Questa è un'uscita diretta del segnale non filtrato proveniente dall'ingresso del livello di linea. Può essere usata per collegare un secondo amplificatore KA-1000-THX o per ricollegarsi all'impianto, se necessario.

3. Uscite del livello degli altoparlanti

Le due uscite del livello degli altoparlanti sono di tipo Speakon® NL2 professionale e garantiscono collegamenti semplici da usare, intuitivi e sicuri. Basta allineare l'aletta presente sul connettore alla tacca della presa jack dell'uscita, inserire il connettore completamente e quindi farlo ruotare in senso orario per bloccare il collarino in posizione (vedi figura 1). Per lo scollegamento, tirare indietro il collarino e tenerlo in questa posizione mentre si gira il connettore in senso antiorario e lo si estrae dalla presa. Sul retro del subwoofer sono presenti le medesime connessioni. Qualora si usino due subwoofer KW-120-THX, collegare il secondo nello stesso modo all'altro jack di uscita del KA-1000-THX. (In dotazione con ogni unità KW-120-THX viene fornito un cavo da 6,10 m per subwoofer, certificato THX Ultra. Rivolgersi al rivenditore se si necessita di un cavo più lungo.)

4. Connettore di alimentazione in c.a.

Al connettore di alimentazione in c.a. viene collegato il cavo di alimentazione asportabile con connettore tripolare. Dopo aver inserito il connettore in questa presa, portare l'interruttore di alimentazione generale su "Off" e quindi collegare il cavo di alimentazione all'apposita presa di corrente alternata. Lasciare l'interruttore di alimentazione generale su "Off" fino al completamento di tutte le connessioni. Per l'uso normale dell'impianto, nella maggior parte dei casi consigliamo di lasciare gli interruttori di alimentazione generale e automatica entrambi in posizione "On".

CONNESSIONE E REGOLAZIONE

Il KA-1000-THX è un amplificatore digitale ad alte prestazioni, certificato THX Ultra2, di Classe D, con un filtro di crossover per subwoofer incorporato. È stato progettato in modo specifico per amplificare uno o due subwoofer KW-120-THX al livello massimo d'uscita, senza distorsioni del suono o alcun rischio di danni. Sebbene le connessioni e i comandi dell'amplificatore siano semplici, il loro utilizzo varia leggermente a seconda del sistema di subwoofer a cui l'amplificatore è collegato. Le sezioni seguenti descrivono le operazioni tipiche di configurazione, per impianti digitali e per impianti analogici.

Connessione di processore o ricevitore surround THX/digitale – I processori e i ricevitori surround digitali Dolby Digital® e DTS® disponibili oggi sul mercato, come pure tutti i modelli con certificato THX, dispongono di uscite di livello di linea del subwoofer e di filtri di crossover incorporati. Se l'impianto in uso è stato progettato per l'utilizzo di uno di questi dispositivi, è consigliabile praticamente in tutti i casi usare il KA-1000-THX con l'interruttore THX in posizione "On". In questo modo si bypassano i comandi di crossover e del livello. Collegare l'uscita subwoofer sul ricevitore o processore a una o a entrambe le prese jack di ingresso dell'amplificatore KA-1000-THX (figura 2). Adoperare un cavo di interconnessione per subwoofer schermato, di alta qualità, della lunghezza appropriata e provvisto di spine RCA ad entrambe le estremità. Il rivenditore è in grado di assistere gli utenti nella scelta del cavo più adatto. Dal ricevitore o processore, accedere al menu di configurazione degli altoparlanti e impostare il subwoofer su "On" o "Yes"; se si tratta di un modello con certificazione THX Ultra2, selezionare "Ultra2" nel menu del subwoofer. Il ricevitore o processore in uso potrebbe disporre di funzioni aggiuntive di gestione dei bassi, oltre alla semplice attivazione dell'uscita del subwoofer. Per maggiori informazioni sulle impostazioni più appropriate per la gestione dei bassi, consultare il manuale d'uso del ricevitore o processore oppure rivolgersi al rivenditore.

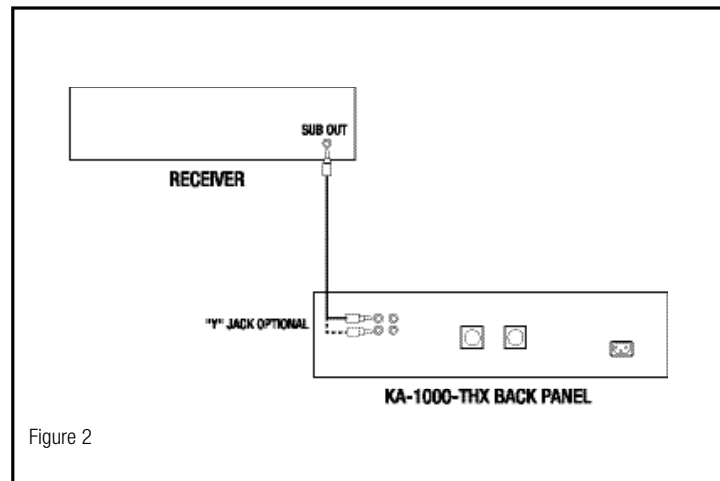


Figure 2

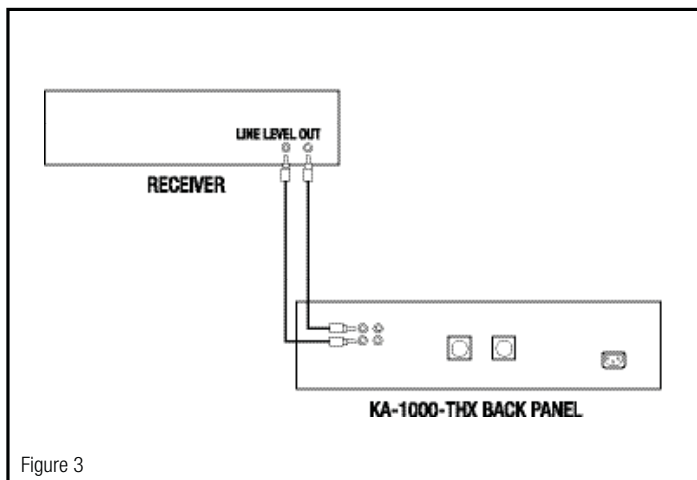
KA-1000-THX AMPLIFIER

Regolazione del crossover – Con l'interruttore THX su "On", come consigliato per questo tipo di configurazione, il comando di crossover non è attivo. Il relativo LED di stato è rosso, ad indicare che il comando è stato bypassato. In questa situazione, le funzioni di crossover per il subwoofer sono svolte dal ricevitore o processore. Quando come speaker anteriori si usano i modelli KL-650-THX o KL-525-THX, selezionare una frequenza di crossover pari a 80 Hz (THX).

Comando del livello – Con l'interruttore THX su "On", come consigliato per questo tipo di configurazione, il comando del livello non è attivo. Il relativo LED di stato è rosso, ad indicare che il comando è stato bypassato. In questa situazione, il volume del subwoofer viene regolato dal ricevitore o processore in uso.

Comando di fase – In alcuni impianti, l'impostazione del comando di fase potrebbe non avere alcun effetto, mentre in altri potrebbe essere necessario alternare ripetutamente la regolazione dei comandi di fase e del livello per poter raggiungere il messaggio ottimale con gli altoparlanti principali. Poiché l'impostazione di ogni comando (inclusa la frequenza di crossover sul ricevitore o processore) influisce sulla regolazione degli altri comandi, spesso si impiega un po' di tempo prima di raggiungere la messa a punto ottimale. Iniziare con il comando di fase a 0° e riprodurre una registrazione con bassi ripetuti e spiccatamente udibili alla posizione di ascolto. Ripetere questa operazione, regolando il comando a 90° e a 180°. Usare la regolazione che offre il livello di bassi maggiore.

Connessione di processore o ricevitore surround non THX/analogico o impianto stereo a due canali – Alcuni processori e ricevitori A/V analogici (senza funzioni Dolby Digital® o DTS®) dispongono di un'uscita di livello di linea del subwoofer. Altri, analogamente ad alcuni ricevitori stereo e amplificatori integrati, hanno uscite di livello per il canale sinistro e per il canale destro. Tutti i preamplificatori stereo e i processori surround separati hanno uscite di livello di linea. Se l'impianto in uso è stato progettato per l'utilizzo di uno di questi dispositivi, è consigliabile praticamente in tutti i casi usare il KA-1000-THX con l'interruttore THX in posizione "Off". In questo modo si attivano i comandi di crossover e del livello. Le uscite di questo tipo devono essere connesse agli ingressi di livello di linea del KA-1000-THX (figura 3). Si dovrà adoperare uno o due cavi di interconnessione schermati, di alta qualità, della lunghezza appropriata e provvisti di spine RCA ad entrambe le estremità. Il rivenditore è in grado di assistere gli utenti nella scelta dei cavi più adatti.



- **Uscita del subwoofer** – Collegare il jack di uscita del subwoofer a uno degli ingressi di livello di linea del KA-1000-THX.
- **Uscite di preamplificazione sul ricevitore o amplificatore integrato** – Se il ricevitore o amplificatore integrato in uso dispone di uscite di preamplificazione libere per i canali anteriori destro e sinistro, collegarle agli ingressi di livello di linea del KA-1000-THX.
- **Loop pre-out/main-in sul ricevitore o amplificatore integrato** – In alcuni ricevitori e amplificatori integrati, gli stadi di preamplificazione e amplificazione sono collegati esternamente mediante ponticelli. Se i dispositivi in uso hanno i canali anteriori destro e sinistro connessi in questo modo, è possibile collegare il KA-1000-THX a queste uscite di preamplificazione. Sarà necessario un paio di adattatori a Y, ciascuno dei quali con due spine RCA e una presa RCA. Rimuovere i ponticelli dei due canali. Per ciascuno di essi, collegare una parte della forcella dell'adattatore a Y al jack dell'uscita di preamplificazione e l'altra al jack dell'ingresso di amplificazione principale. Collegare alle prese degli adattatori a Y i cavi che portano al KA-1000-THX.

- **Preamplificatore o processore surround separato** – Sarà necessario un paio di adattatori a Y, ciascuno dei quali con una spina RCA e due prese RCA. Scollegare i cavi provenienti dalle uscite dei canali anteriori destro e sinistro del preamplificatore o del processore e collegarli agli adattatori a Y. Per ciascun canale, collegare il cavo dell'amplificatore a una delle prese jack RCA dell'adattatore a Y e il cavo del KA-1000-THX all'altra presa.

Regolazione del crossover – Con l'interruttore THX su "Off", come consigliato per questo tipo di configurazione, il comando di crossover è attivo. Il relativo LED di stato è verde, ad indicare che il comando è funzionale. Regolare questo comando approssimativamente al limite di bassa frequenza degli altoparlanti principali anteriori destro e sinistro. Se non si è a conoscenza di queste specifiche, stimarne il valore in base alle dimensioni degli altoparlanti. Di solito, gli altoparlanti di dimensioni considerevoli raggiungono frequenze inferiori rispetto agli altoparlanti più piccoli. Pertanto, per un altoparlante grande da pavimento, si può partire da una frequenza di crossover minima di 40 Hz, mentre per altoparlanti satellite molto piccoli è preferibile regolarla al massimo, ossia a 120 Hz. Normalmente, gli altoparlanti da scaffale si aggirano sui 50-80 Hz. Se la frequenza di crossover è superiore a 100 Hz, il subwoofer deve essere portato in avanti, vicino agli altoparlanti principali anteriori.

Comando del livello – Con l'interruttore THX su "Off", come consigliato per questo tipo di configurazione, il comando del livello è attivo. Il relativo LED di stato è verde, ad indicare che il comando è funzionale. Riprodurre svariate registrazioni di musica con bassi forti, ma non troppo. Regolare il comando del livello del KA-1000-THX finché il suono non è uniformemente caldo e naturale. Se si ha difficoltà a produrre bassi profondi senza causare rimbombo, probabilmente il comando di crossover è troppo alto. Provare ad abbassarlo gradualmente fino a risolvere il problema. Se il suono è senza corpo al punto da dover alzare il livello del subwoofer fino a rendere troppo prominenti i bassi più profondi, iniziare a regolare i comandi di fase o di compensazione del guadagno di pressione. Se questa operazione non risolve completamente il problema, è probabile che sia necessario alzare la frequenza di crossover.

Comando di fase – In alcuni impianti, l'impostazione del comando di fase potrebbe non avere alcun effetto, mentre in altri potrebbe essere necessario alternare ripetutamente la regolazione dei comandi di fase e del livello per poter raggiungere il messaggio ottimale con gli altoparlanti principali. Poiché l'impostazione di ogni comando (inclusa la frequenza di crossover sul ricevitore o processore) influisce sulla regolazione degli altri comandi, spesso si impiega un po' di tempo prima di raggiungere la messa a punto ottimale. Iniziare con il comando di fase a 0° e riprodurre una registrazione con bassi ripetuti e spiccatamente udibili alla posizione di ascolto. Ripetere questa operazione, regolando il comando a 90° e a 180°. Usare la regolazione che offre il livello di bassi maggiore.

Commenti generali in merito alle regolazioni – Poiché l'impostazione di ogni comando influisce in parte sulla regolazione ottimale degli altri comandi, il procedimento di regolazione è molto interattivo e richiede svariati tentativi. Se dopo un certo periodo di ascolto e taratura i risultati non sono ancora soddisfacenti, è consigliabile rivolgere l'attenzione alla collocazione del subwoofer. Qualsiasi spostamento, naturalmente, interagisce con tutti gli altri elementi acustici. Anche in questo caso, è necessario armarsi di pazienza. Il risultato finale premierà abbondantemente il tempo impiegato.

CURA E PULIZIA

L'unica cura che l'amplificatore per subwoofer richiede è una spolverata di tanto in tanto. Non usare mai né sostanze abrasive né detersivi forti o a base di solventi.


THX e Ultra2 sono marchi di fabbrica o depositati della THX Ltd. Tutti i diritti riservati.

GARANZIA APPLICABILE FUORI DEGLI USA E DEL CANADA

Se questo prodotto viene venduto fuori degli USA o del Canada, esso è coperto da una garanzia conforme alle leggi locali e la validità di tale garanzia è di esclusiva responsabilità del distributore del prodotto stesso. Per richiedere un intervento in garanzia rivolgersi al rivenditore o al distributore.

INSTRUÇÕES DE SEGURANÇA IMPORTANTES

1. LEIA estas instruções.
2. GUARDE estas instruções.
3. FIQUE ATENTO a todos os avisos.
4. SIGA todas as instruções.
5. NÃO use este aparelho perto de água.
6. LIMPE APENAS com um pano seco.
7. NÃO bloqueie nenhuma abertura de ventilação. Instale de acordo com as instruções do fabricante.
8. NÃO instale próximo de quaisquer fontes de calor, tais como radiadores, saídas de ar quente, fogões ou outros aparelhos (incluindo amplificadores) que produzam calor.
9. Este equipamento deve ser ligado em uma tomada elétrica utilizando-se um plugue que esteja em conformidade com as normas locais de polaridade e aterramento elétrico.
10. PROTEJA o cabo de alimentação para que não seja pisoteado nem prensado, sobretudo no plugue, em tomadas posicionadas no piso e no ponto onde sai do aparelho.
11. USE APENAS acessórios especificados pelo fabricante.
12. USE apenas com o carrinho, pedestal, tripé, suporte ou mesa especificado pelo fabricante ou vendido com o aparelho. Ao usar um carrinho, tenha cuidado ao movê-lo com o aparelho para evitar tropeçar e se ferir.
13. DESLIGUE o aparelho da tomada durante tempestades elétricas ou quando ficar fora de uso por longos períodos de tempo.
14. TODA a manutenção deve ser realizada por pessoal de manutenção qualificado. É necessário prestar assistência técnica ao aparelho quando tiver sofrido danos de qualquer tipo, tais como danos ao cabo de alimentação ou ao plugue, derramamento de líquido ou queda de objetos sobre o aparelho, exposição do aparelho à chuva ou umidade, mal funcionamento ou queda do aparelho.

 Este símbolo indica que o material impresso que acompanha esta unidade contém instruções de operação e manutenção importantes.

 Este símbolo indica risco de choque elétrico devido à presença de tensão perigosa nesta unidade.

AVISO: Para reduzir o risco de incêndio ou choque elétrico, não exponha este aparelho à chuva ou à umidade.



AVISO: As tensões presentes neste equipamento podem causar risco de vida. Não há peças internas que possam ser reparadas pelo usuário.

Toda a manutenção deve ser realizada por pessoal de manutenção qualificado.

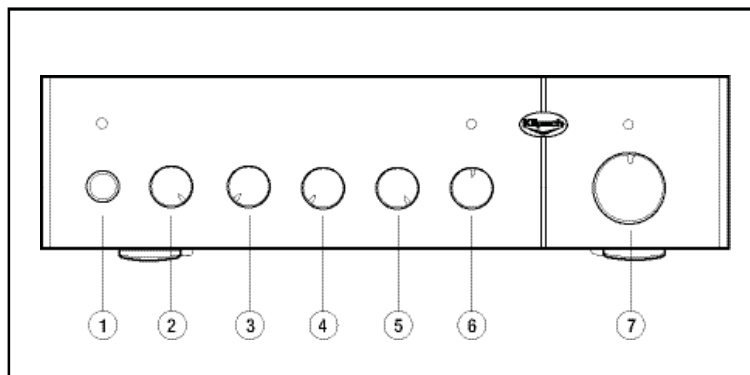
ATENÇÃO: Alterações ou modificações que não sejam expressamente aprovadas pelo fabricante podem resultar na anulação do direito do usuário de usar este dispositivo.

SOBRE SUA AQUISIÇÃO DE UM PRODUTO DA KLIPSCH

Obrigado por adquirir um amplificador subwoofer da Klipsch. Depois de ler este manual e conectar seu sistema, você ouvirá o resultado de mais de 55 anos de engenharia precisa de ponta e pesquisa e desenvolvimento líder no setor. Não deixe de preencher o cartão de garantia no verso deste manual ou on-line no site www.klipsch.com para que possamos atendê-lo melhor. Mais uma vez, obrigado por escolher a Klipsch. Esperamos que o seu amplificador subwoofer traga vida às suas músicas e filmes por muitos anos.

REMOÇÃO DA EMBALAGEM

A maneira mais fácil de retirar o amplificador de sua embalagem é virar o lado aberto da caixa para baixo encima de uma mesa ou no chão, com as orelhas da caixa viradas para fora. Basta então puxar a caixa para cima. Retire todo os materiais de embalagem do amplificador, coloque-os de volta na caixa e guarde-os caso seja necessário transportar o amplificador no futuro.



CONTROLES DO PAINEL FRONTAL

1. Chave liga/desliga mestre

A chave liga/desliga mestre é utilizada para ligar e desligar o amplificador. Além da chave liga/desliga mestre, o KA-1000-THX tem uma função de ativação automática que permite que o amplificador se ligue e desligue automaticamente quando detecta um sinal de áudio. Um LED indica a condição atual do amplificador: VERMELHO quando está em repouso e VERDE quando está ativo. O LED fica apagado quando a chave liga/desliga mestre está na posição "Off" (Desligada).

2. Ativação/desativação automática

A chave de ativação/desativação automática tem duas posições: "On" (Ativada) e "Off" (Desativada). Na posição "Off" (Desativada), o amplificador é ligado ou desligado pela chave liga/desliga mestre. Se a chave liga/desliga mestre for deixada na posição "On" (Ligada) e a chave de ativação/desativação automática for colocada na posição "On" (Ativada), o amplificador será ligado quando detectar um sinal de áudio, desligando-se depois sozinho. Quando a função de ativação automática é utilizada, há um atraso de 2 segundos na ativação e um atraso de 15 minutos na desativação.

3. Controle de fase

O controle de fase no KA-1000-THX tem variação contínua de 0 a 180 graus. Este controle permite que o desempenho do sistema do subwoofer seja ajustado com precisão por meio da otimização da mixagem com as caixas acústicas principais. Basicamente, uma das posições produzirá um aumento audível na saída de graves, dependendo da posição da unidade na sala.

4. Ativação/desativação da compensação de ganho de limite físico

A chave de compensação de ganho de limite físico permite ajustar com precisão a amplitude da faixa inferior do sistema do subwoofer conforme a posição da unidade na sala. Dependendo da posição da unidade na sala, a resposta da faixa inferior de áudio do subwoofer pode ficar acima do normal ou apresentar reverberação devido ao aumento da potência de saída causado pela acústica da sala. Neste caso, selecione a posição "On" (Ativada) para que o sistema volte a produzir o som numa amplitude mais próxima do normal e com menos reverberação. Se um receiver ou processador THX® Ultra2™ estiver sendo usado e "Ultra2" tiver sido selecionado para a sub-configuração, a chave de compensação de ganho de limite físico deve ser colocada na posição "Off" (Desativada).

5. Chave de ativação/desativação de THX

A chave THX permite contornar os controles de crossover e de nível quando um pré-amplificador ou receiver THX é utilizado. Na posição "On" (Ativada), os controles de crossover e de nível não funcionam. (Nesta configuração, o pré-amplificador ou o receiver executará estas funções). Na posição "Off" (Desativada), os controles de crossover e de nível funcionam normalmente. Certifique-se de que o nível do volume no pré-amplificador ou receiver esteja baixo antes de mudar a posição desta chave.

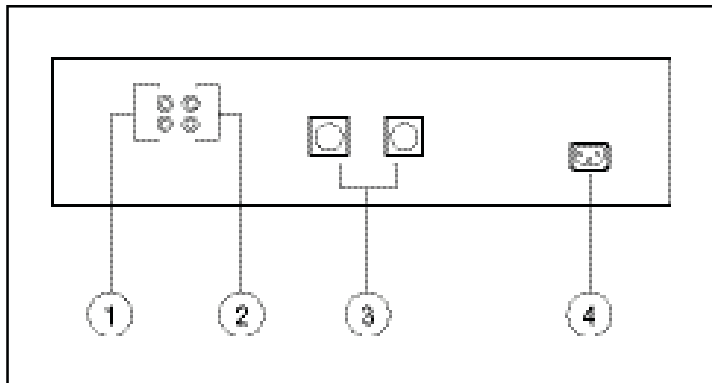
6. Controle de crossover passa-baixa

O controle de crossover passa-baixa permite a seleção da frequência correta na qual a saída do sistema do subwoofer combina-se com as caixas acústicas principais. A faixa de seleção disponível vai de 40 a 120 Hz. Este controle deve ser configurado para o limite de frequência baixa aproximada das caixas acústicas principais da esquerda e da direita. Em um sistema THX, esta configuração seria 80 Hz. Se o controle THX for colocado na posição "On" (Ativado), este controle não funcionará. A unidade tem um LED indicador de estado para informar o usuário se este controle está em operação: VERDE para ativo e VERMELHO para contornado.

KA-1000-THX AMPLIFIER

7. Controle de nível

O controle de nível serve para ajustar o volume do amplificador. Ele é utilizado junto com o controle de nível de saída do subwoofer do pré-amplificador ou receiver, e serve para ajustar o nível de saída geral do sistema do subwoofer. Se o controle THX for colocado na posição "On" (Ativado), este controle não funcionará. A unidade tem um LED indicador de estado para informar o usuário se este controle está em operação: VERDE para ativo e VERMELHO para contornado.



ENTRADAS E SAÍDAS / CONEXÕES E CONFIGURAÇÃO DO PAINEL TRASEIRO

Faça todas as conexões com o amplificador subwoofer e o receiver ou pré-amplificador DESLIGADOS!

1. Entrada de nível de linha

A entrada de nível de linha é composta de dois conectores de áudio RCA fêmeas banhados a ouro. Pode-se usar apenas um ou os dois. (Use um cabo de interconexão de subwoofer de alta qualidade blindado de comprimento adequado, com conectores RCA machos nas duas extremidades. O revendedor pode ajudá-lo a selecionar um cabo adequado). Esta entrada pode funcionar como uma entrada de nível de linha ou uma entrada LFE (efeitos de baixa frequência), dependendo da posição da chave de ativação/desativação de THX. Quando THX está ativado, o crossover passa-baixa é contornado e a entrada de nível de linha funciona efetivamente como uma entrada LFE não filtrada.

2. Saída de nível de linha

A saída de nível de linha é composta de dois conectores de áudio RCA fêmeas banhados a ouro. Pode-se usar apenas um ou os dois. Esta saída é uma passagem não filtrada do sinal de entrada de nível de linha. Pode ser usada para conectar um outro amplificador KA-1000-THX ou, se necessário, fazer uma conexão ao equipamento eletrônico do usuário.

3. Saída de nível das caixas acústicas

As saídas de nível das caixas acústicas são duas conexões Speakon® NL2 estilo profissional. Esta é uma conexão simples, fácil de usar, segura e à prova de enganos. Basta alinhar a lingüeta do conector com a ranhura no conector de saída, inserir totalmente o conector, girá-lo no sentido horário e o anel travará no lugar (Figura 1). Para removê-lo, puxe o anel para trás e, ao mesmo tempo, gire-o no sentido anti-horário e puxe-o para fora. A mesma conexão existe atrás do gabinete do subwoofer. Caso dois subwoofers KW-120-THX estejam sendo utilizados, conecte o

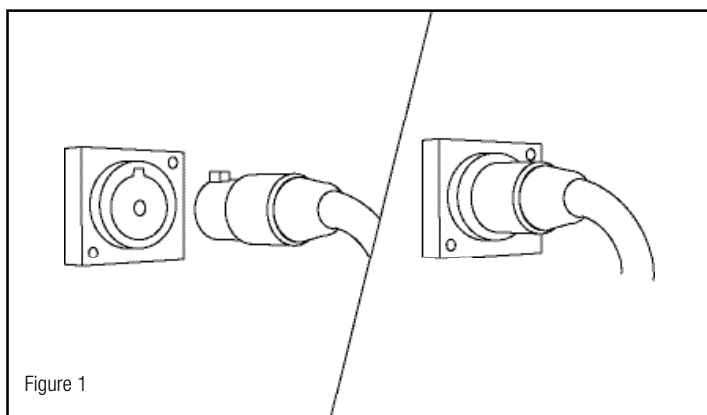


Figure 1

segundo da mesma maneira ao segundo conector de saída do KA-1000-THX. (Um único cabo para subwoofer THX Ultra certificado de 6 m de comprimento é fornecido com cada subwoofer KW-120-THX. Entre em contato com o revendedor caso precise de um cabo mais longo).

4. Conector para cabo de alimentação de CA

A conexão da linha de CA utiliza um cabo de alimentação com plugue de três pinos. Insira a extremidade do cabo de alimentação neste conector, coloque a chave liga/desliga mestre na posição "Off" (Desligada) e insira o plugue do cabo de alimentação em uma tomada de CA apropriada. Deixe a chave liga/desliga mestre desligada até terminar de fazer todas as conexões. (Recomendamos deixar as chaves liga/desliga mestre e de ativação/desativação automática na posição "On" (Ligada) para o funcionamento normal na maioria dos sistemas).

CONEXÃO E AJUSTE

O KA-1000-THX é um amplificador de potência digital com certificação THX Ultra2 Classe D de alto desempenho, com crossover de subwoofer embutido. Foi projetado para excitar um ou dois subwoofers KW-120-THX até o limite máximo de saída, sem produzir distorção audível e sem risco de danos.

Apesar de as conexões e os controles do amplificador serem simples, a maneira como são utilizados varia um pouco dependendo da aplicação do sistema de subwoofers. Os procedimentos típicos de instalação estão descritos nas próximas seções: um para sistemas digitais e outro para sistemas analógicos.

Conexão de receiver ou processador surround digital / THX — Os receivers e processadores surround digitais Dolby Digital® e DTS® de hoje, bem como todos os modelos com certificação THX, têm saídas de nível de linha de subwoofer e crossovers de subwoofer embutidos. Se o sistema utilizado tiver este tipo de configuração, quase sempre será melhor usar o KA-1000-THX com a chave THX na posição "On" (Ativada). Isto contornará os controles de crossover e de nível. Conecte a saída de subwoofer do receiver ou processador a um ou ambos os conectores fêmea do KA-1000-THX (Figura 2). Use um cabo de interconexão de subwoofer de alta qualidade blindado, de comprimento adequado, com conectores RCA machos nas duas extremidades. O revendedor pode ajudá-lo a selecionar um cabo adequado.

Não deixe de acessar o menu de configuração das caixas acústicas do receiver ou do processador e configurar a opção Subwoofer para "On" (Ativado) ou "Yes" (Sim). Se for um modelo com certificação THX Ultra2, selecione "Ultra2" no menu do subwoofer.

O receiver ou processador pode ter outras funções de controle de graves além da simples ativação da saída de subwoofer. Consulte o manual do proprietário do receiver ou do processador ou o revendedor para obter mais informações sobre as configurações corretas de seu sistema para o controle correto de graves.

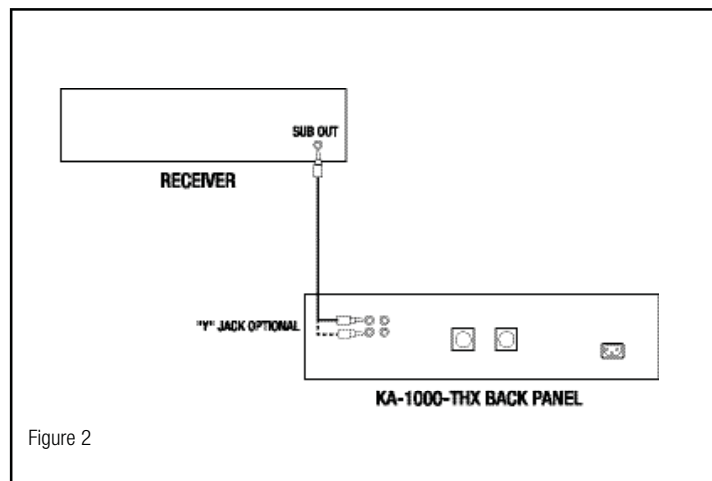


Figure 2

Ajuste de crossover — Com a chave THX na posição "On" (Ativada), como sugerido para este tipo de configuração, o controle de crossover não funcionará. O LED de estado correspondente se acenderá na cor vermelha, indicando que este controle foi contornado. Neste caso, o receiver ou o processador utilizado executará as funções do crossover do subwoofer. Ao usar a KL-650-THX ou a KL-525-THX como as caixas acústicas frontais, selecione a frequência de transição de 80 Hz (THX).

Controle de nível – Com a chave THX na posição “On” (Ativada), como sugerido para este tipo de configuração, o controle de nível não funcionará. O LED de estado correspondente se acenderá na cor vermelha, indicando que este controle foi contornado. Neste caso, o receiver ou o processador utilizado executará as funções do nível de volume do subwoofer.

Controle de fase – Em algumas instalações, a configuração do controle de fase pode não fazer muita diferença, no entanto em outros casos, pode ser necessário comutar entre os controles de fase e nível durante algum tempo para obter a melhor integração possível com as caixas acústicas principais. Uma vez que cada ajuste de controle (incluindo o da frequência de transição no receiver ou no processador) afeta os ajustes ideais dos demais, geralmente demora um bocadinho para chegar à configuração perfeita. Comece com o controle de fase a 0°, fique na posição onde normalmente ouve o som e ouça uma gravação que tenha um padrão de graves recorrentes. Repita este processo com o controle nas posições de 90° e 180°. Use a configuração que produza graves com maior amplitude.

Conexão de receiver/processador surround analógico ou sistema estéreo de dois canais sem THX – Alguns receivers e processadores de A/V analógicos (sem capacidade Dolby Digital® ou DTS®) têm uma saída de nível de linha de subwoofer. Outros têm saídas de nível de linha para o canal esquerdo e direito, assim como alguns receivers e amplificadores integrados estéreo. Todos os pré-amplificadores e processadores surround estéreo independentes têm saídas de nível de linha. Se o sistema utilizado tiver este tipo de configuração, quase sempre será melhor usar o KA-1000-THX com a chave THX na posição “Off” (Desativada).

Isto ativará o crossover e os controles de nível. Estes tipos de saídas devem ser conectadas às entradas de nível de linha do KA-1000-THX (figura 3). Para fazer a conexão é preciso ter um ou dois cabos de interconexão blindados de alta qualidade de comprimento apropriado, com conectores RCA nas duas extremidades. O revendedor pode ajudá-lo a selecionar cabos adequados.

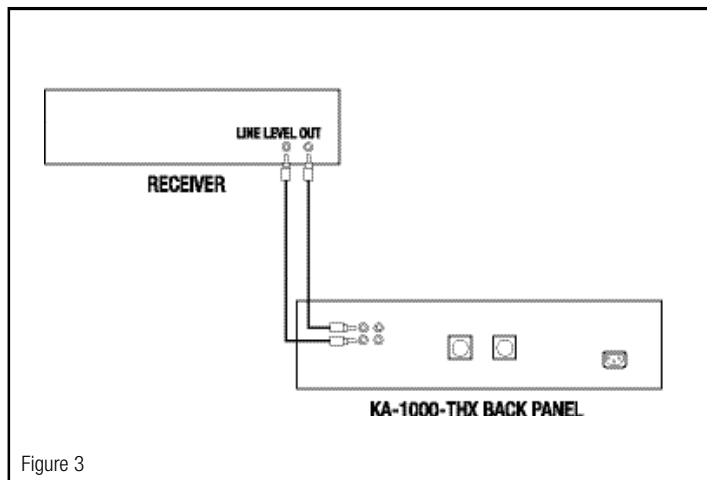


Figure 3

Saída de subwoofer – Conecte o conector de saída do subwoofer a um dos conectores de entrada de nível de linha no KA-1000-THX.

Saídas de pré-amplificador no receiver ou no amplificador integrado – Se o receiver ou o amplificador integrado tiver saídas adicionais para pré-amplificador para os canais esquerdo e direito frontais, conecte-as às entradas de nível de linha no KA-1000-THX.

Enlaces de saída de pré-amplificador/entrada de amplificador principal no receiver ou no amplificador integrado – Alguns receivers e amplificadores integrados têm as suas etapas de pré-amplificação e amplificação de potência conectadas externamente através de jumpers. Caso os canais frontais esquerdo e direito do equipamento utilizado estejam conectados desta maneira, pode-se conectar o KA-1000-THX a estas saídas de pré-amplificação. Será preciso dois adaptadores Y, cada qual com dois conectores RCA machos e um conector RCA fêmea. Retire os jumpers dos dois canais. Para cada um deles, conecte uma seção do adaptador Y no conector de saída do pré-amplificador e a outra no conector de entrada do amplificador principal. Conecte os cabos que vão ao KA-1000-THX nas extremidades fêmeas dos adaptadores Y.

Pré-amplificador ou processador surround independente – Será preciso dois adaptadores Y, cada qual com um conector RCA macho e dois conectores RCA fêmeas. Desconecte os cabos oriundos das saídas dos canais frontais esquerdo e direito no pré-amplificador ou processador e conecte nelas os adaptadores Y. Para cada canal, conecte o cabo que vai ao amplificador de potência a um dos conectores RCA no adaptador Y, e o cabo que vai ao KA-1000-THX no outro.

Ajuste de crossover – Com a chave THX na posição “Off” (Desativada), como sugerido para este tipo de configuração, o controle de crossover será ativado. O LED de estado correspondente se acenderá na cor verde, indicando que este controle está ativo. Configure o controle para o limite de frequência baixa aproximado das caixas acústicas principais frontais da esquerda e da direita. Caso as especificações das caixas acústicas não estiverem disponíveis, faça uma estimativa aproximada baseando-se no seu tamanho. Uma caixa acústica grande geralmente consegue produzir frequências mais baixas do que uma caixa acústica pequena. Portanto, para uma caixa acústica grande, sugerimos que comece com a frequência de transição ajustada para o limite mínimo de 40 Hz. No caso de caixas acústicas satélite compactas, sugerimos que seja ajustada para o limite máximo de 120 Hz. As caixas acústicas para estantes ou prateleiras, geralmente encontram-se na faixa de 50 Hz a 80 Hz. Se a frequência de transição for configurada para mais de 100 Hz, o subwoofer deve ser colocado na frente da sala, próximo das caixas acústicas frontais principais.

Controle de nível – Com a chave THX na posição “Off” (Desativada), como sugerido para este tipo de configuração, o controle de nível será ativado. O LED de estado correspondente se acenderá na cor verde, indicando que este controle está ativo. Ouça a vários tipos de gravações musicais que contenham graves bem definidos, porém não excessivos. Ajuste o controle de nível do KA-1000-THX até que a música reproduzida tenha um som continuamente agradável e natural. Caso seja difícil obter um nível suficiente de graves sem que o som apresente reverberação, isto provavelmente indica que o controle de crossover está configurado em um nível muito alto. Tente diminuí-lo um pouco de cada vez até eliminar o problema. Se o som apresentar deficiência de graves até que o nível de volume do subwoofer seja aumentado a ponto de os graves passarem a ser muito proeminentes, comece variando o ajuste dos controles de fase ou compensação de ganho de limite físico. Se isto não eliminar totalmente o problema, é provável que seja necessário aumentar a frequência de transição.

Controle de fase – Em algumas instalações, a configuração do controle de fase pode não fazer muita diferença, entretanto em outros casos pode ser necessário comutar entre os controles de fase e nível durante algum tempo para obter a melhor integração possível com as caixas acústicas principais. Uma vez que cada ajuste de controle (incluindo o da frequência de transição no receiver ou no processador) afeta os ajustes ideais dos demais, geralmente leva algum tempo para chegar à configuração perfeita. Comece com o controle de fase a 0°, fique na posição onde normalmente ouve o som e ouça uma gravação que tenha um padrão de graves recorrentes. Repita este processo com o controle nas posições de 90° e 180°. Use a configuração que produza graves com maior amplitude.

Comentários gerais sobre os ajustes: Considerando-se que qualquer alteração na configuração de um controle tende a mudar até certo ponto as configurações ideais dos demais, o processo de ajuste é muito interativo e envolve muitas tentativas. Se depois de passar algum tempo ouvindo o som e calibrando o sistema você ainda não estiver satisfeito, pode ser que seja necessário mudar um pouco a posição do subwoofer. Isto, é óbvio, afeta todos outros elementos do sistema. Como diz o ditado, paciência é uma virtude. O esforço empreendido será recompensado pelo resultado final.

CAUIDADO E LIMPEZA

A única coisa que você precisará fazer pelo seu amplificador subwoofer é retirar de vez em quando o pó acumulado nas superfícies. Nunca aplique qualquer tipo de produto de limpeza abrasivo ou à base de solventes, nem qualquer detergente forte.

THX e Ultra2 são marcas comerciais ou marcas registradas da THX Ltd. Todos os direitos reservados.


GARANTIA FORA DOS ESTADOS UNIDOS E CANADÁ


A garantia deste produto, quando vendido para um cliente fora dos Estados Unidos ou Canadá, deve estar de acordo com a legislação em vigor e é de inteira responsabilidade do distribuidor que vendeu o produto. Para obter os serviços aplicáveis previstos na garantia, entre em contato com o representante de quem você comprou o produto ou com o distribuidor do produto.

KA-1000-THX AMPLIFIER

INSTRUCCIONES IMPORTANTES DE SEGURIDAD

1. LEA estas instrucciones.
2. GUARDE estas instrucciones.
3. RESPETE todas las advertencias.
4. SIGA todas las instrucciones.
5. NO use este aparato cerca del agua.
6. LÍMPIELO SOLAMENTE con un paño seco.
7. NO bloquee las aberturas de ventilación. Instale el aparato de acuerdo con las instrucciones del fabricante.
8. NO lo instale cerca de fuentes de calor tales como radiadores, rejillas de piso, estufas u otros aparatos (incluso amplificadores) que generan calor.
9. Este equipo se debe enchufar en un tomacorriente con un enchufe que cumpla con las normas locales de polaridad eléctrica y conexión a tierra.
10. EVITE que el cordón de alimentación sea pisado o aplastado, en particular cerca del enchufe o del tomacorriente y en el punto en que el cordón sale del aparato.
11. USE SÓLO los accesorios especificados por el fabricante.
12. USE el aparato solamente con el carrito, pedestal, trípode, soporte o mesa especificado por el fabricante o vendido con el aparato. Sea precavido cuando mueva el aparato en un carrito, para evitar las lesiones que pueda producir un volcamiento.
13. DESENCHUFE el aparato durante tormentas eléctricas o cuando no lo vaya a usar durante largos períodos de tiempo.
14. ENCARGUE todo servicio al personal de servicio calificado. Se requiere servicio cuando el aparato ha sido dañado de alguna manera, tal como cuando se ha dañado el enchufe o el cordón de alimentación, han caído líquidos u objetos dentro del aparato o el aparato se ha dejado caer, ha dejado de funcionar normalmente o ha sido expuesto a la lluvia o a la humedad.

 Este símbolo indica que hay información importante sobre operación y mantenimiento en los folletos que acompañan a esta unidad.

 Este símbolo indica que en esta unidad hay voltajes peligrosos que constituyen un riesgo de descarga eléctrica.

ADVERTENCIA. Para reducir el riesgo de incendio o de descarga eléctrica, no exponga este aparato a la lluvia o a la humedad.



ADVERTENCIA. Los voltajes que hay dentro de este equipo pueden poner en peligro su vida. Dentro del dispositivo no hay piezas que el usuario pueda reparar. Encargue todo servicio al personal de servicio calificado

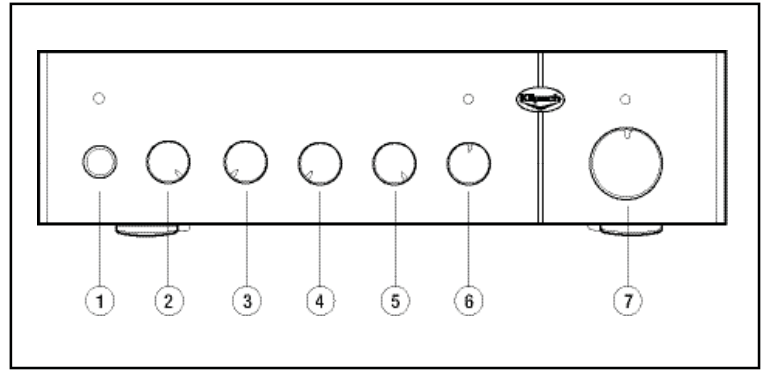
PRECAUCIÓN. Los cambios o modificaciones no aprobados expresamente por el fabricante pueden anular la autorización del usuario para hacer funcionar este dispositivo.

ACERCA DE SU COMPRA KLIPSCH

Gracias por la compra de este amplificador de subwoofer Klipsch. Después de leer este manual y conectar el sistema, usted oír los resultados de más de 55 años de una ingeniería rigurosa y una investigación y desarrollo de categoría mundial. Llene la tarjeta de garantía que se encuentra al final de este manual o en línea en www.klipsch.com para que podamos atenderle mejor. Nuevamente le agradecemos que haya escogido a Klipsch y esperamos que este amplificador de subwoofer le dé vida a su música y a sus películas durante muchos años.

DESEMPAQUE

La manera más fácil de sacar el amplificador de la caja es poner el lado abierto de la caja con las solapas desplegadas hacia afuera sobre una mesa o el piso. Luego jale la caja directamente hacia arriba para separarla del amplificador. Quite el material de empaquetado, póngalo en la caja y guarde la caja por si alguna vez necesita enviar el amplificador a alguna parte.



CONTROLES DEL PANEL DELANTERO

1. Interruptor de alimentación principal

El interruptor de alimentación principal enciende y apaga el amplificador. Además del interruptor de alimentación principal, el modelo KA-1000-THX tiene una función de alimentación automática que permite que el amplificador se encienda y se apague automáticamente cuando detecta una señal de audio. Un indicador luminoso señala el estado del amplificador: ROJO cuando el amplificador está en espera y VERDE cuando el amplificador está funcionando. El indicador luminoso está apagado cuando el interruptor de alimentación principal está en la posición de apagado (OFF).

2. Interruptor de alimentación automática

El interruptor de alimentación automática tiene dos posiciones, encendido (ON) y apagado (OFF). En OFF, el interruptor de alimentación principal enciende o apaga el amplificador. Si usted deja el interruptor de alimentación principal en ON y fija el interruptor de alimentación automática en ON, el amplificador se enciende y se apaga automáticamente cuando detecta una señal de audio. Hay un retraso de 2 segundos en el encendido y un retraso de 15 minutos en el apagado cuando se usa la función de alimentación automática.

3. Control de fase

El control de fase del KA-1000-THX varía continuamente de 0 a 180 grados. Este control permite hacer un ajuste preciso del desempeño del subwoofer y optimizar la combinación con los altavoces principales. En esencia, una de las posiciones causa un aumento audible en la salida de bajos, dependiendo de la ubicación en la sala.

4. Interruptor de compensación de amplificación de superficie limitadora

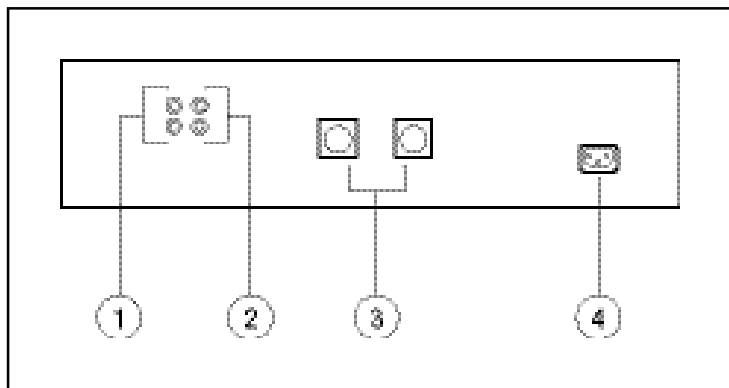
El interruptor de compensación de amplificación de superficie limitadora le permite a usted hacer un ajuste preciso de la extensión del extremo inferior de la gama de frecuencias del subwoofer, según la ubicación en la sala. En algunas ubicaciones, la respuesta en el extremo inferior de la gama de frecuencias del subwoofer puede volverse exagerada o estruendosa debido al aumento de la salida causado por la acústica de la sala. En este caso, fijar el interruptor en ON hará que el sistema produzca una respuesta más uniforme y menos estruendosa. Si usted tiene un receptor o procesador THX® Ultra2™ y ha seleccionado "Ultra2" como configuración del sub, debe fijar el interruptor de compensación de amplificación de superficie limitadora en OFF.

5. Interruptor de THX

El interruptor de THX proporciona un medio para pasar por alto el crossover y los controles de nivel cuando se usa un preamplificador o receptor THX. En ON, el crossover y los controles de nivel no funcionan. (En esta configuración, el preamplificador o receptor desempeñan esas funciones). En OFF, el crossover y los controles de nivel funcionan normalmente. Asegúrese de que el volumen del preamplificador o receptor está bajo antes de cambiar la configuración de este interruptor.

6. Crossover de pasabajas

El control del crossover de pasabajas permite seleccionar la frecuencia correcta a la cual el subwoofer se combina con los altavoces principales. Se puede fijar entre 40 y 120 Hz. Usted debe fijar este control en el límite aproximado de baja frecuencia de los altavoces principales izquierdo y derecho. En un sistema THX, este valor sería de 80 Hz. Si el control THX está en ON, este control no funciona. Hay un indicador luminoso de estado que indica si este control está funcionando o no; VERDE significa que el control está activo y ROJO que ha sido pasado por alto.



7. Control de nivel

El control de nivel es el volumen del amplificador. Se usa en conjunto con el control de nivel de salida de subwoofer del preamplificador o receptor. Se usa para ajustar el nivel de salida total del sistema de subwoofer. Si el control THX está en ON, este control no funciona. Hay un indicador luminoso de estado que indica si este control está funcionando o no; VERDE significa que el control está activo y ROJO que ha sido pasado por alto.

ENTRADAS Y SALIDAS DEL PANEL TRASERO / CONEXIONES Y CONFIGURACIÓN

Haga todas las conexiones con el amplificador de subwoofer y el receptor o preamplificador apagados.

1. Entrada de nivel de línea

La entrada de nivel de línea consta de un par de enchufes de audio RCA enchapados en oro. Se puede usar uno o los dos. (Use cable de interconexión de subwoofer blindado, de alta calidad y longitud apropiada con clavijas RCA en los extremos. El proveedor puede ayudarle a seleccionar el cable adecuado.) Esta entrada puede funcionar ya sea como una entrada de nivel de línea o como una entrada Efectos de Frecuencias Bajas (Low Frequency Effects, LFE), dependiendo de la posición del interruptor de THX. Cuando el THX está encendido, el crossover de pasabajas se pasa por alto y la entrada de nivel de línea realmente funciona como una entrada de LFE sin filtrar.

2. Salida de nivel de línea

La salida de nivel de línea consta de un par de enchufes de audio RCA enchapados en oro. Se puede usar uno o los dos. Esta salida deja pasar sin filtrar la señal de la entrada de nivel de línea. Se puede usar para conectar un segundo amplificador KA-1000-THX o para volver a conectar sus aparatos electrónicos si es necesario.

3. Salidas de nivel de altavoz

Las salidas de nivel de altavoz son dos conexiones Speakon® NL2 estilo profesional. Esta es una conexión simple, fácil de usar, segura y sencilla de manipular. Simplemente alinee la lengüeta del conector con la ranura del enchufe de salida, inserte completamente el conector, gírelo en el sentido de las agujas del reloj y el collarín se bloquea en posición (Figura 1). Para quitarlo, jale el collarín y, sin soltarlo, gírelo en sentido contrario a las agujas del reloj y termine de jalarlo. Esta conexión se repite en la parte de atrás de la caja del subwoofer. Si usted va a usar dos subwoofers KW-120-THX, conecte el segundo de la misma manera en el segundo enchufe de salida

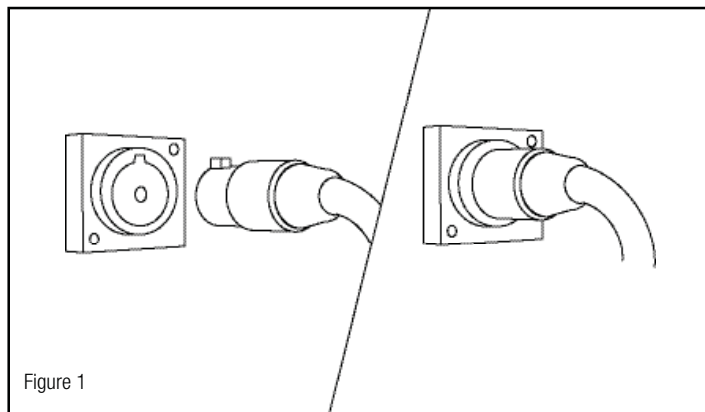


Figure 1

del KA-1000-THX. (En cada caja de subwoofer KW-120-THX viene un cable de altavoz de subwoofer THX de 20 pies de largo con certificación Ultra. Comuníquese con el proveedor si necesita un cable más largo.)

4. Cordón de línea de CA

La conexión de línea de corriente alterna (CA) usa un cordón de alimentación de tres clavijas desmontable. Inserte el cordón de línea en este enchufe, fije el interruptor de alimentación principal en OFF y luego inserte el cordón de alimentación en un tomacorriente de CA apropiado. Deje el interruptor de alimentación principal en OFF hasta que termine de hacer todas las conexiones. (Le recomendamos que deje los interruptores de alimentación principal y alimentación automática en ON durante el funcionamiento normal de la mayoría de los sistemas.)

CONEXIÓN Y AJUSTE

El KA-1000-THX es un amplificador digital de potencia clase D de alto rendimiento con certificación THX Ultra2 y un crossover de subwoofer incorporado. Ha sido diseñado específicamente para hacer funcionar uno o dos subwoofers KW-120-THX hasta una salida máxima sin distorsión audible ni riesgo de daño. Aunque las conexiones y los controles del amplificador son sencillas, su uso varía un poco según la aplicación del sistema de subwoofer. Los procedimientos de configuración típicos se describen en las secciones que se presentan a continuación; una para sistemas digitales y otra para sistemas analógicos.

Conexión de receptor o procesador surround digital / THX. Los receptores y procesadores surround digitales Dolby Digital® y DTS® actuales, así como todos los modelos con certificación THX, tienen salidas de nivel de línea de subwoofer y crossovers de subwoofer incorporados. Si su sistema ha sido organizado basándose en uno de estos receptores o procesadores, casi siempre es mejor usar el KA-1000-THX con el interruptor THX en ON. Esto pasa por alto el crossover y los controles de nivel. Conecte la salida de subwoofer del receptor o procesador a uno o a los dos enchufes de entrada del KA-1000-THX (Figura 2). Use cable de interconexión de subwoofer blindado, de alta calidad y de longitud apropiada con clavijas RCA en los extremos. Su proveedor puede ayudarle a seleccionar el cable adecuado. Asegúrese de ir al menú de configuración del altavoz de su receptor o procesador y fijar el subwoofer en ON o YES, o si es un modelo con certificación THX Ultra2, seleccione "Ultra2" en el menú de subwoofer. Su receptor o procesador puede tener otras capacidades de control de bajos más allá de simplemente activar la salida de subwoofer. Consulte el manual del propietario de su receptor o procesador o comuníquese con su proveedor para obtener más información sobre las configuraciones correctas de administración de bajos de su sistema.

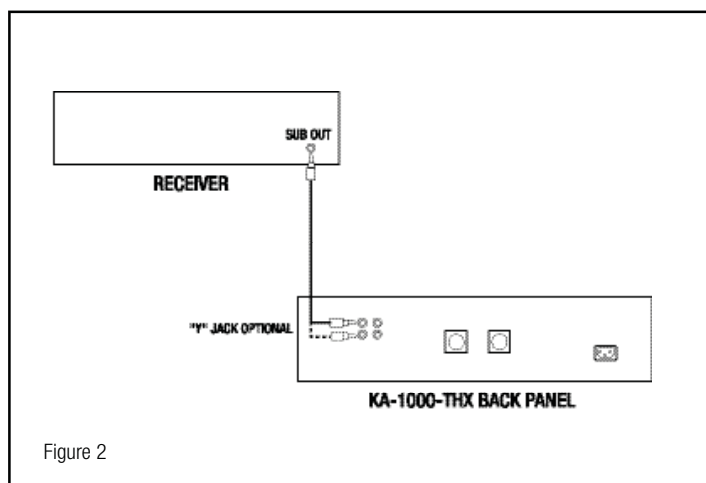


Figure 2

Ajuste de crossover. Con el interruptor THX en ON, tal como se recomienda para este tipo de configuración, el control de crossover no funciona. El indicador luminoso de estado es de color rojo para indicar que este control ha sido pasado por alto. Su receptor o procesador desempeña las funciones de crossover para el subwoofer en esta situación. Cuando use los modelos KL-650-THX o KL-525-THX como altavoces frontales, seleccione la frecuencia de crossover (THX) de 80 Hz.

KA-1000-THX AMPLIFIER

Control de nivel. Con el interruptor THX en ON, tal como se recomienda para este tipo de configuración, el control de nivel no funciona. El indicador luminoso de estado es de color rojo para indicar que este control ha sido pasado por alto. Su receptor o procesador desempeña las funciones de nivel de volumen para el subwoofer en esta situación.

Control de fase. En algunas instalaciones, la posición del control de fase puede no tener mucho efecto, en tanto que en otras puede ser necesario ir y venir entre los controles de fase y de nivel durante un rato para obtener la mejor combinación con los altavoces principales. Puesto que la configuración de cada control (incluyendo la del control de la frecuencia de crossover del receptor o procesador) afecta la configuración óptima de los otros, a menudo toma un poco de tiempo fijar los controles en la posición correcta. Comience con el control de fase en 0° y toque una grabación con una línea de bajos repetitiva y prominente en la posición de oyente. Repita este proceso con el control en las posiciones de 90° y 180°. Use la configuración que produzca la mayor salida de bajos.

Conexión de procesador o receptor surround analógico o sin certificación THX, o sistema estereofónico de dos canales. Algunos receptores o procesadores analógicos A/V (sin capacidad Dolby Digital® o DTS®) tienen una salida de subwoofer de nivel de línea. Otros tienen salidas de nivel de línea de canal derecho e izquierdo, tal como algunos receptores y amplificadores estereofónicos integrados. Todos los preamplificadores y procesadores surround estereofónicos separados tienen salidas de nivel de línea. Si su sistema ha sido organizado basándose en uno de estos dispositivos, casi siempre es mejor usar el KA-1000-THX con el interruptor THX en OFF. Esto activa el crossover y los controles de nivel. Estos tipos de salidas se deben conectar a las entradas de nivel de línea del KA-1000-THX (Figura 3). Necesitará uno o dos cables de interconexión blindados, de alta calidad y de longitud apropiada con clavijas RCA en los extremos. Su proveedor puede ayudarle a seleccionar los cables adecuados.

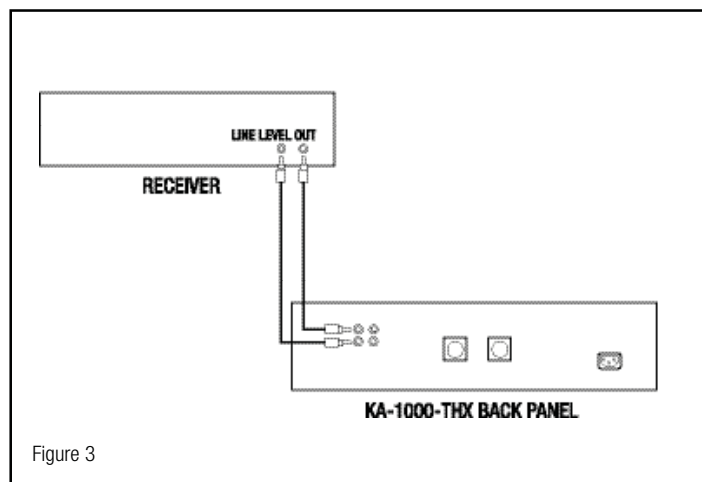


Figure 3

Salida de subwoofer. Conecte el enchufe de salida de subwoofer en uno de los enchufes de entrada de nivel de línea del KA-1000-THX.

Salidas de preamplificador en el receptor o amplificador integrado. Si su receptor o amplificador integrado tiene salidas de preamplificador adicionales para sus canales frontales izquierdo y derecho, conéctelas a las entradas de nivel de línea del KA-1000-THX.

Bucles de salida de preamplificador a entrada a amplificador en receptor o amplificador integrado.

Algunos receptores y amplificadores integrados tienen sus etapas de preamplificación y amplificación de potencia conectadas externamente con puentes. Si el suyo tiene los canales frontales izquierdo y derecho conectados de esta manera, puede conectar el KA-1000-THX a las salidas del preamplificador. Va a necesitar un par de adaptadores en Y, con dos clavijas RCA macho y un enchufe RCA hembra cada uno. Quite los puentes de los dos canales. En cada canal, enchufe una pata de un adaptador en Y en el enchufe de salida del preamplificador y la otra en el enchufe de entrada del amplificador principal. Enchufe los cables que van hacia el KA-1000-THX en los extremos hembra de los adaptadores en Y.

Preamplificador o procesador surround separado. Va a necesitar un par de adaptadores en Y, con una clavija RCA macho y dos enchufes RCA hembra cada uno. Desenchufe los cables que salen de las salidas de los canales frontales derecho e izquierdo del preamplificador o procesador y enchufe en esas salidas las clavijas RCA macho de los adaptadores en Y. En cada canal, enchufe el cable que va al amplificador de potencia en uno de los enchufes RCA hembra del adaptador en Y, y el cable que va al KA-1000-THX en el otro enchufe RCA hembra del adaptador en Y.

Ajuste de crossover. El control de crossover se activa cuando el interruptor THX se fija en OFF, tal como se recomienda para este tipo de configuración. El indicador luminoso de estado se pone de color verde para indicar que este control está funcionando. Fije el control en el límite aproximado de baja frecuencia de los altavoces frontales principales izquierdo y derecho. Si no tiene las especificaciones, fije la frecuencia haciendo un cálculo aproximado razonable según el tamaño de los altavoces. Los altavoces grandes por lo general alcanzan frecuencias más bajas que los altavoces pequeños. Así que para un altavoz de piso grande, puede comenzar con la frecuencia de crossover en su valor mínimo de 40 Hz. Para altavoces satélite muy pequeños es recomendable que la fije al máximo de 120 Hz. Los altavoces de repisa típicos tienden a estar entre 50 Hz y 80 Hz. Si fija la frecuencia de crossover a más de 100 Hz, el subwoofer debe estar en la parte de adelante de la sala, cerca de los altavoces frontales principales.

Control de nivel. El control de nivel se activa cuando el interruptor THX se fija en OFF, tal como se recomienda para este tipo de configuración. El indicador luminoso de estado se pone de color verde para indicar que este control está funcionando. Toque una variedad de grabaciones de música que contengan bajos fuertes pero no abrumadores. Ajuste el control de nivel del KA-1000-THX hasta que la música suene continuamente cálida y natural. Si tiene problemas para obtener bajos suficientemente bajos sin que el sonido se vuelva estruendoso, es probable que el control de crossover esté demasiado alto. Intente bajarlo poco a poco hasta que el problema desaparezca. Si el sonido es delgado hasta que usted suba tanto el nivel de subwoofer que el bajo inferior es demasiado prominente, comience variando la configuración de los controles de fase o de compensación de amplificación de superficie limitadora. Si eso no soluciona completamente el problema, es probable que tenga que subir la frecuencia de crossover.

Control de fase. En algunas instalaciones, la posición del control de fase puede no tener mucho efecto, en tanto que en otras puede ser necesario ir y venir entre los controles de fase y de nivel durante un rato para obtener la mejor combinación con los altavoces principales. Puesto que la configuración de cada control (incluyendo el de la frecuencia de crossover del receptor o procesador) afecta la configuración óptima de los otros, a menudo toma un poco de tiempo fijar los controles en la posición correcta. Comience con el control de fase en 0° y toque una grabación que produzca una línea de bajos repetitiva y prominente en la posición del oyente. Repita este proceso con el control en las posiciones de 90° y 180°. Use la configuración que produzca la mayor salida de bajos.

Comentarios generales acerca de los ajustes. Puesto que cualquier cambio en la configuración de un control tiende a cambiar la configuración óptima de los otros en alguna medida, el proceso de ajustes es muy interactivo y supone mucho ensayo y error. Si después de un período de audición y calibración usted todavía no está satisfecho, es posible que tenga que experimentar un poco con la ubicación del subwoofer. Eso, por supuesto, también interactúa con todo lo demás. Reiteramos que la paciencia es una virtud y que el resultado final valdrá bien la pena.

CUIDADO Y LIMPIEZA

Lo único que puede necesitar hacerle al amplificador de subwoofer es quitarle el polvo de vez en cuando. No le aplique nunca limpiadores abrasivos o con base de solvente, ni ningún detergente fuerte.

THX y Ultra2 son marcas comerciales o marcas comerciales registradas de THX, Ltd. Reservados todos los derechos.

GABANTÍA FUERA DE LOS ESTADOS UNIDOS Y CANADÁ

Si este producto se vende a un consumidor fuera de los Estados Unidos o Canadá, la garantía deberá cumplir con las leyes correspondientes y será responsabilidad exclusiva del distribuidor que lo suministró. Para obtener cualquier servicio de garantía aplicable, comuníquese con el minorista que le vendió este producto o con el distribuidor que lo suministró.

重要安全說明

1. 閱讀本說明書。
2. 保管本說明書。
3. 留意一切警告。
4. 根據本說明書的盒內內容使用。
5. 使用本裝置時切勿靠近水。
6. 只給使用乾布進行清潔。
7. 切勿堵塞任何通風口。根據廠家提供的說明進行安裝。
8. 安裝時切勿靠近任何地點，包括散熱器、賣風器、爐子以及其他可能發熱（含放大器）等。
9. 本設備的電源，必須插入適合當地電壓極性及接地標準的電源插座。
10. 注意電源線的長度，避免纏繞或擠壓，特別是插頭、插座處及連接本設備的電源線所經過的地方。
11. 只使用廠家指定的附帶裝置/附件。
12. 只使用廠家指定的或與本設備配套銷售的藍車、充兩、三層兩、托架、或桌子等。使用藍車時，請小心移動藍車/設備元件，避免其傾倒而損傷。
13. 雷雨天氣或長期不使用本設備時，請將插頭拔出。
14. 把本設備交給有資格的人員進行所有的維修工作。如果本設備受到任何形式的損傷，如發生電擊或插頭損壞、液體滲入或物體插入本設備內，本設備受電擊或受過、不正常運行、聲異常等情形時，則對本設備進行維修。



該符號表示本單元所用材料中有重要的操作有損警告說明。



該符號表示本單元內可能存在可能造成電擊的危險電壓。

警告：避免引起起火或電擊。切勿讓本設備受潮或受過。



警告：本設備的電源可能對生命造成危險。本設備內所有用戶可能觸及的部件。請將所有維修工作交由具備專業資格之人士。

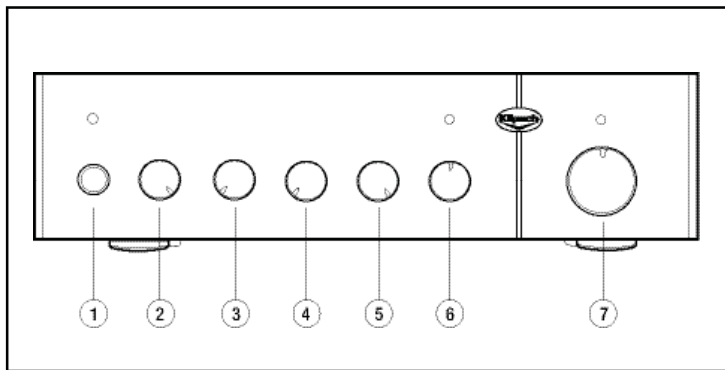
注意：未經廠家明確批准的改變或改組可能會導致用戶失去操作本裝置的權力。

原裝 Klipsch 產品說明

原裝 Klipsch 低音音響放大系統。在開關本手冊並按照手冊或裝好音響系統之後，您將聽到該音響系統發出的美妙聲音，這種美妙聽覺的聲音來自五十五年多來最新的工程技術和國內領先的研究成果。請務必保管好本手冊內附的質量保證卡，或上滑www.klipsch.com填寫質量保證卡，以便我們能夠為您提供更好的服務。再次感謝您購買 Klipsch 產品，我們希望能夠為長音響系統放大系統為您提供教育和服務時，帶給您最完美的享受。願 Klipsch 產品伴您數十年。

拆開

拆開放大系統紙箱最簡單方法如下：把紙箱頂蓋開，把紙箱開口的一面朝下置於桌子或地板上，然後直坐把紙箱拉開並取走。將放大系統包裝物，把這些包裝物放回紙箱中存放，以便將來裝運放大系統時使用。



前置放大系統說明

1. 主電源開關說明

主電源開關是用來打開和關閉放大器的。除了主電源開關之外，KA-1000-THX 還配有「自動電源開關 (Auto Power)」功能，其作用就是當放大器檢測到音響信號後，放大器可以自動打開或關閉。一個 LED（發光二極管）狀態燈會顯示前置放大器的狀態——紅色表示放大器處於休眠等狀態而綠色表示放大器開始工作了。當主電源開關處於「Off」位置時，該 LED 燈會關閉。

2. 自動電源開關說明

自動電源開關可以設置為兩種狀態——「On」和「Off」。當處於「Off」位置時，將由主電源開關來打開或關閉放大器。如果把主電源開關置於「On」位置並且把自動電源開關設定在「On」位置，那麼當檢測到音響信號時，放大器就會自動打開或關閉。使用自動電源開關功能時，打開時還有 2 秒鐘的延遲，而關閉時還有 15 分鐘的延遲。

3. 音響控制

KA-1000-THX 的相位控制可以在 0 到 180 度之間連續調節。該控制可以使用戶選擇優化與音響系統的真實效果來俱佳地調節低音音響系統的性能。基本上，根據房間擴散位置的不同，處於某個位置時可以增加低音音響輸出。

4. 低音音響補償開關說明

低音音響補償開關可以用戶根據房間的擺放位置，微調低音音響系統的低音音響。在房間的某些位置，由於房間的聲學效果，低音音響系統的低音音響可能會變大或變小。在這種情況下，把開關置於「On」位置可以把系統恢復到一個平和的、低聲壓力的回饋狀態。如果用戶使用了 THX Ultra2™ 接收器或音響處理並且在子設置中選擇了「Ultra2」，那麼低音音響補償開關置於「Off」。

5. THX 打開開關

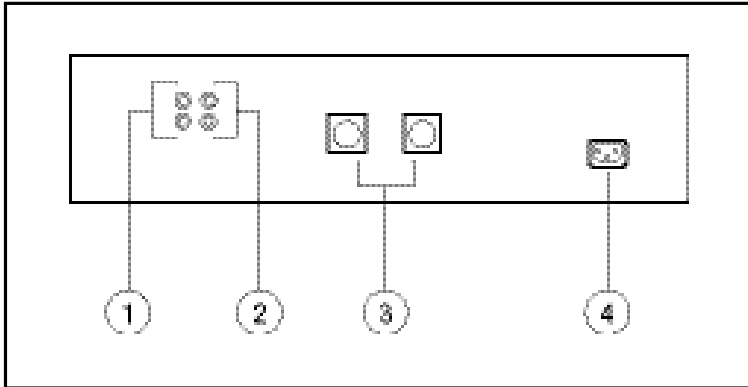
當使用 THX 狀態放大系統音響接收器時，THX 開關提供了一種調節分頻器和電平控制的手段。當開關處於「On」位置時，分頻器和電平控制將不起作用。在這種配置中，用戶的音響放大系統將接收音響接收器功能。當開關處於「Off」位置時，分頻器和電平控制將正常工作。在取閱此開關的設置之前，應該確保用戶的音響放大系統音響接收器的聲音電平已經調好。

6. 音響分頻器

音響分頻器控制可以用戶選擇自己的低音音響接收系統和音響處理的正確音響頻率。可以選擇範圍為 40-120 Hz。用戶應該將該頻率控制在和左右音響接收器的音響控制值相近的頻率。在一個 THX 系統中，此設置應該為 40 Hz。如果 THX 開關設置為「On」位置，該控制將不起作用。本放大器有一個 LED 顯示燈可以顯示出此控制是否起作用——綠色表示有效而紅色表示控制被禁用。

7. 電平控制

電平控制用來控制放大器的音響設置。它是和用戶的前置放大系統音響接收器上的低音音響接收器輸出的電平控制相配合。也用來調整用戶的音響接收



實線顯示系統的輸出聲音水平。如果THX控制設定為“On”，該控制是不起作用。放大機有一個LED顯示燈可以指示出此控制是否起作用。綠色表示有作用，紅色表示被旁路。

前置輸入與輸出信號電壓

進行所有連接時，應將所有的電壓開關置於“OFF”，包括任何音響設備放大機和用戶的揚聲器或前置放大器的電壓開關。

1. 前置單平Line Level輸入

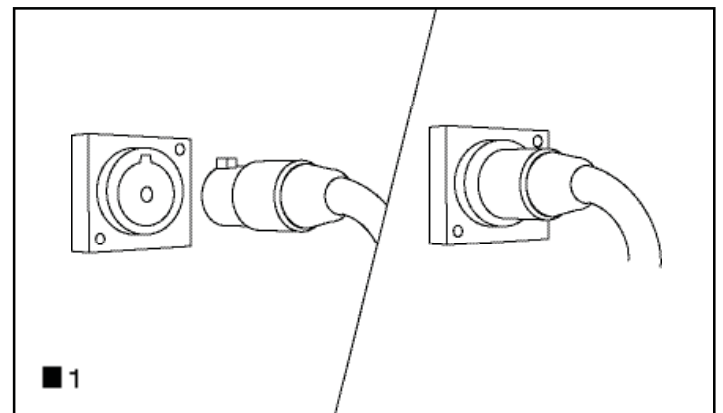
前置單平Line Level輸入包括一對RCA鍍金有鎖插孔。可以用其中一個或兩個共用。使用一個優質的、高質量且具有鎖固長度的任何音響設備連接電線，並且該電線每端都有RCA插頭。給賣商會為您選擇一個優質的電線。]此輸入可以作為前置單平Line Level輸入或有LFE輸入。具體取決於THX開關置於On/Off的位置。當THX被置為On時，前置分頻器被旁路，而且前置單平Line Level輸入功能，只是具備一個非鎖固的LFE輸入的功能。

2. 前置單平輸出

前置單平Line Level輸出包括一個RCA鍍金插孔。可以用其中一個或兩個共用。此輸出是前置單平Line Level輸入信號進行非鎖固直接推測輸出的。可以用來連接第二個KA-1000-THX放大機，或者連接前置放大機用戶的電子設備。

3. 前置單平輸出

前置單平輸出是兩個專用的Speaker NLZ型連接。這是一種耐用、安全且極其簡單的連接。用戶只需將連接管線插入輸出插孔上的鎖固鎖，完全插入連接管，單時針旋轉或高位置鎖定。鎖固鎖要拿下來時，拉回圓筒後，往後推的同時用反時針方向旋轉就可以拔出。在無任何音響設備連接多線連接等某項設置方式。如果用戶正在



使用兩個RM-120-THX前置分頻器，把第2個接線電線的方法連接到KA-1000-THX的第2個輸出插孔。(每個RM-120-THX前置分頻器收費。該設備與一個20英尺長的Monster Cable THX Ultra2線的超低音前置分頻器電線。如果買一個更長的電線可以用用戶的線筒剪掉。)

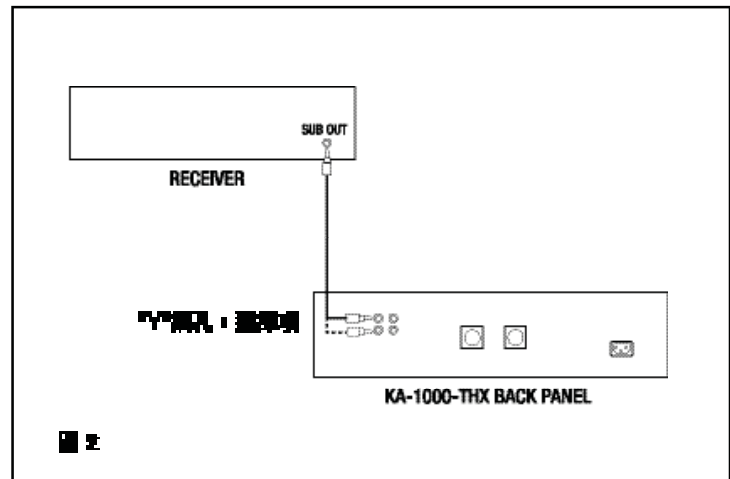
4. AC線路

AC線路應使用一個可以取下的三插電線插頭。把插頭插入插孔，把主電壓開關置為“On”，然後把電線插頭插入一個優質的AC插座。在所有連接完成之前保持主電壓開關為“off”。(我們建議，在多數系統正常運行時，把系統主電壓開關置為“On”。)

接線位置

KA-1000-THX是一個高性能的、經過THX Ultra2認證的Class D數位功率放大器，並且具有內置的超低音前置分頻器。該放大機專車設計可以把一個或兩個RM-120-THX前置分頻器驅動到最大輸出，並且保證沒有聲音失真和損壞設備的風險。儘管放大機的連接和接線比較簡單，但用戶設置會由於任何音響設備系統的具體應用而不同。具體設置請參閱下面的章節中請試。— 其中一個章節是關於系統滿足一個準的接線比較系統。

THX/數位前置分頻器和前置分頻器 — 如今在Dolby Digital和DTS數位音響接收器和處理器，以及所有最新THX認證的音響設備，具有前置單平Line Level前置分頻器輸出和內置的超低音前置分頻器。如果用戶的系統是圍繞其中某一設備建立的，那基本上最好直接採用KA-1000-THX並且把THX開置為“On”。這將會把前置分頻器和前置分頻器旁路，使用一個有層次的、高質量的、具有鎖固長且每端都



有RCA插頭的超低音前置分頻器電線，把該前置分頻器上的超低音前置分頻器輸出連接到KA-1000-THX前置分頻器輸入插孔中一個或兩個插孔。給賣商會幫用戶選擇一個合適的電線。請確定您插入的接線插頭有處理器的線路管理功能並且選擇任何音響設備為“On”或有“yes”。如果使用的是THX Ultra2認證的音響設備，請在超低音前置分頻器功能中選擇“Ultra”，這在接收器或前置分頻器具有前置單平的應用超低音前置分頻器輸出功能外，還可能具有附加的超低音前置分頻器。如果系統得到盡可能的更多關於正確設置前置管理的信息，請查閱接收器或前置分頻器用戶手冊，或者內置的給賣商說明。

前置分頻器 — 正如對前置分頻器的設置中所建議的每條，應該把THX開置為“On”，前置分頻器控制就不起作用。LED狀態燈會變紅，表示該控制已經被旁路。在這種情況下，用戶的接線器和前置分頻器對前置分頻器前置分頻器功能。當使用KL-600-THX或者KL-625-THX作為前置分頻器時，應該把RM-120的前置分頻器。

前置分頻器 — 正如對前置分頻器的設置中所建議的每條，應該把THX開置為“On”，前置分頻器控制就不起作用。LED狀態燈會變紅，表示該控制已經被旁路。在這種情況下，用戶的接線器和前置分頻器對前置分頻器前置分頻器功能。

前置分頻器 — 在某些安裝中，前置分頻器的設置可能不多。而在其他的一些安裝中，為了得到和主前置分頻器的最佳音響效果，就有必要在超低音前置分頻器之間尋求一些調節。因為每個控制裝置(包括接收器或處理器中的前置分頻器專用的控制裝置)會與其他的裝置設置。常常需要花時間來把所有的裝置都設置到最佳的位置。僅D+開關前置分頻器，坐在左側的位置上。然後播放一個具有豐富的、重疊的超低音音響。在90°和180°前置分頻器位置重複此過程。採用能夠產生最大前置分頻器輸出的設置。

非THX相比線性接收器/處理器有雙通道立體聲系統連接。一些類比AV接收器和處理器(帶有Dolby Digital™ 或DTS™能力)具有線性電平(Line-Level)的揚音揚聲器輸出。其他的一些接收器和處理器具有左右聲道線性電平(Line-Level)輸出。這一類和一部分接收器和處理器與成放大一樣，所有分道的揚音揚聲器放大器和處理器都具有線性電平(Line-Level)輸出。如果您的系統是圍繞上述某一類建立的，那麼通常最好是使用KA-1000-THX並且把THX開關置於“Off”位置。這將會使用分道揚音電平控制。這些類型的輸出與那些對KA-1000-THX的線性電平(Line-Level)輸入。JBL®原裝用戶需要一致或有特殊聲效的、高質量的無線電唱機唱碟更具有這類的長處，並且每道都要有RCA插頭。總會有會幫助用戶選擇合適的電壓。

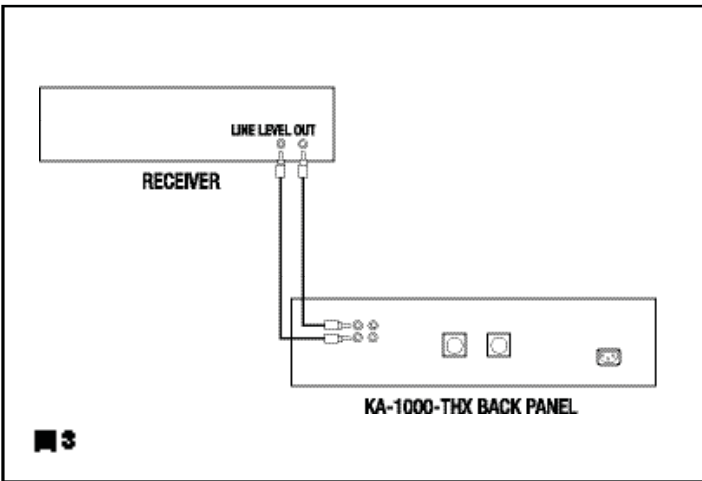


圖 3

- 揚音揚聲器輸出 - 把揚音揚聲器的輸出插孔連接到KA-1000-THX上的線性電平輸入插孔之一。
- 揚音揚聲器或成放大器上的線性電平輸出 - 如果您的揚音揚聲器或成放大器具有多線的用於其前左或右聲道的前置放大輸出，就把這些輸出連接到KA-1000-THX上的線性電平(Line-Level)輸入。
- 揚音揚聲器或成放大器上的前置輸出/主輸入選擇 - 一些接收器和成放大器具有其自己的前置放大器和功率放大器，這些放大器的輸出可以通過外部的輸出進行。如果您的接收器和成放大器的左前聲道和右前聲道採用這種連接方式，則您可以把KA-1000-THX連接到這些前置放大輸出端。您需要一對Y形插配器，每個插配器有兩個陽性RCA插頭和一個陰性RCA插孔。將它們從聲道上的連接線拔下。針對每個聲道，把Y形插配器的一端插入前置放大輸出插孔內，把另一端插入主放大器輸入插孔內。把這些KA-1000-THX的電壓輸入Y形插配器的陰性端。
- 分支式前置放大器和電壓感測器 - 您需要一對Y形插配器，每個插配器由一個陽性RCA插頭和一個陰性RCA插孔組成。拔去這些前置放大器和處理器上方前聲道和右前聲道輸出口的電壓，然後把Y形插配器插入。針對每個聲道，把這些功率放大器的電壓插入Y形插配器上的一個RCA插孔，把這些KA-1000-THX的電壓輸入另外一個插孔。
- 分頻器 - 正如這個說明書中所定義的那樣，當THX開關處於“Off”時，分頻器就會被啟用。其LED狀態燈將會點亮即表示該控制處於啟用狀態。把控制設置為接近子音的低分頻器或右前聲道的低頻限制。如果知道有這些揚音揚聲器，那麼可以根據揚音揚聲器的尺寸有選擇地限制這些揚音揚聲器。大尺寸揚音揚聲器比小尺寸揚音揚聲器有更好的低頻響應。因此對於一個大尺寸揚音揚聲器來說，您可以把分頻器率降低到40Hz，並要比原本稍低。相反如果是個小的揚音揚聲器，則您可能需要把分頻器率向上調整到120Hz。典型的揚音揚聲器的分頻器率一般在50Hz到80Hz之間。如果分頻器率設置高於100Hz，則揚音揚聲器由於受到揚音揚聲器附近前置揚音揚聲器的地方。

- 電平控制 - 正如這個說明書中所定義的那樣，當THX開關處於“Off”時，電平控制就會被啟用。其LED狀態燈將會點亮即表示該控制處於啟用狀態。當選擇揚音揚聲器或成放大器的電平，低電壓選擇器不起作用。當開關KA-1000-THX的電平會置於直到會轉動起來自地選擇限制自給。對揚音揚聲器或成放大器達到足夠的低頻限制，則可能說明分頻器設置得過高。請嘗試每次降低一點分頻器率直到限制消失為止。如果揚音揚聲器，並且只有當揚音揚聲器電平調高，則揚音揚聲器會隨其大程度輸出才能消除限制的效果，那麼揚音揚聲器或成放大器在揚音揚聲器或成放大器的位置。如果問題不能完全解決，您可能需要重新分頻器率。
- 揚音揚聲器 - 在某些安裝中，相位控制的設置相差不多，而在其他的一些安裝中，為了得到最佳揚音揚聲器最佳效果，就有必要在相位和電平控制之間稍後來進行一些調整。因為每個揚音揚聲器(包括接收器或成放大器中的分頻器率)的設置都會影響其他的揚音揚聲器設置，常常需要很長時間來把所有的揚音揚聲器調整到最佳的位置。當“Off”用相位控制，坐在揚音揚聲器位置上，然後播放一段具有顯著的低音的揚音揚聲器，在“On”和“Off”的揚音揚聲器位置有比這更。採用揚音揚聲器最大低音輸出的設置。

關於調整的一些說明：因為改變任一揚音揚聲器的設置可能在一定程度上影響其他的揚音揚聲器設置，使這些設置儘量最佳設置，所以調整過程是一個相互影響的過程，需要大量反覆嘗試。在選擇一段時間的調整和調整後，如果效果仍不令人滿意，則表揚音揚聲器或成放大器或揚音揚聲器設置，關於調整揚音揚聲器設置可能與其他揚音揚聲器設置相互影響，這就需要您有耐心。為了達到最好的效果，努力嘗試是值得的。

使用說明書

唯一需要修改的事就是將揚音揚聲器去揚音揚聲器放大器的設置。不要使用任何膠帶性或液膠性清潔劑以及任何磨擦性的清潔劑。

THX和Univox為THX LTD公司的商標或註冊商標。保留所有權利。

KA-1000-THX アンプ

重要な安全上のご注意

1. この取扱説明書をお読みください。
2. この取扱説明書をお読みください。
3. 全ての警告事項にご留意ください。
4. 取扱説明書の内容にすべて従ってください。
5. 水気の近くではこの機器は使用しないでください。
6. 掃除には乾いた布のみを使用してください。
7. 換気口を塞がないでください。製造業者の指示事項に従って取り付けてください。
8. ラジエータ、ヒートレジスタ、ストーブ、熱を発生するその他の機器（アンプを含む）などの熱源の近くには据付けしないでください。
9. この機器は、電気安全性とアースに関する現地規格に適合したプラグを用いてコンセントに差し込むようにしてください。
10. 電源コードが踏まれたり、挟まれることのないように保護してください。特に、プラグ、コンセント、機器との接続部には注意を払ってください。
11. 付属品/アクセサリは、製造業者の指定したもののみをご使用ください。
12. カート、スタンド、三脚、ブラケット、テーブルは、製造業者の指定したもので、すなわち機器と一緒に販売されているもののみをご使用ください。カートをご使用の際は、カート/機器をまとめて移動する際に横転による怪我がないようご注意ください。



13. 雷雨時や長期間使用しない時には、機器の電源を抜いてください。
14. 全ての点検・修理は適切なサービス担当者に依頼してください。電源コードやプラグに損傷がある場合、機器に液体がこぼれたり物体が落下した場合、機器に雨や水分がかかった場合、動作が正常でない場合、落下した場合など機器何らかの損傷を受けた場合には点検・修理が必要です。



このシンボルは、この装置に付属の印刷物に重要な操作・保守指示事項が記載されていることを示します。



このシンボルは、感電のリスクが伴う危険電圧がこの装置内に存在していることを示します。

警告：火災や感電のリスクを低減させるため、機器に雨や水分がかからないようにしてください。



警告：この機器の電圧は、人命にかかわる危険性があります。内部には、ユーザーによって交換可能な部品はありません。全ての点検・修理は適切なサービス担当者に依頼してください。

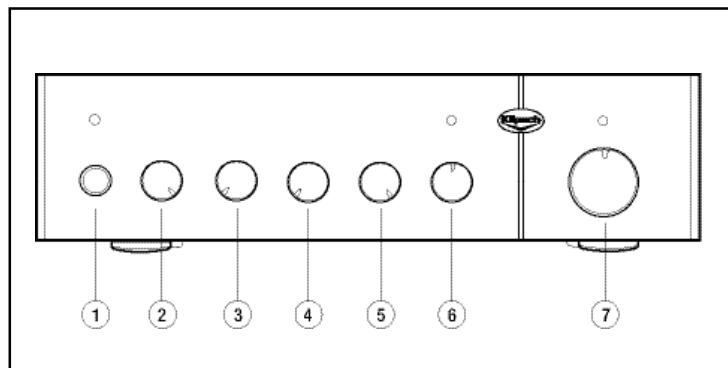
注意：製造業者による明示的な許可のない変更や改造をすると、この装置を操作する権利が無効となる場合があります。

KLIPSCH製品のご購入について

Klipschサブウーファースペックをお買い上げいただきましてありがとうございます。このマニュアルをお読みのうえ、システムを接続していただくと、65年以上にわたる厳格なエンジニアリングと、この分野をリードする研究開発の成果をお楽しみいただけます。このマニュアルの裏表紙にある保証カードにご記入なさるか、www.klipsch.comでオンラインで登録いただきますと、弊社サービスをご利用いただけます。Klipschを選択いただきましたことに改めて感謝の意を表しますとともに、このサブウーファースペックによって、躍動感ある音楽や映画を永くお楽しみいただけますことを願っております。

展開

ボール箱からアンプを取り出す一番簡単な方法は、まず、箱を開けたら開いた方を下向きにして、折り蓋を外側に開き、テーブルや床の上に置きます。次に、箱をそのまま引き上げて外します。アンプから梱包材を取外してボール箱に戻し、アンプを送送する必要がある場合に備えて保管します。



フロントパネル コントロール

1. 主電源オン/オフ

主電源スイッチは、アンプをオン/オフします。主電源スイッチに加え、KA-1000-THXには、音声信号が検出されるとアンプを自動的にオン/オフする自動電源機能があります。アンプの現在のステータスがLEDで表示され、アンプがスタンバイ状態のとき赤色、アンプが動作状態のとき緑色となります。主電源スイッチが「オフ」位置にあるときは、LEDはオフになります。

2. 自動電源オン/オフ

自動電源スイッチには、「オン」と「オフ」の2通りの設定があります。「オフ」位置では、主電源スイッチによりアンプがオン/オフされます。主電源スイッチを「オン」位置にして、自動電源スイッチを「オン」位置に設定すると、音声信号が検出されたときに、アンプは自動的にオン/オフします。自動電源機能を使用する際には、オンでは2秒の遅延、オフでは15分の遅延があります。

3. 位相コントロール

KA-1000-THXの位相コントロールは、0°~180度の間で連続的に変化できます。このコントロールにより、メインスピーカーとの調和を最適化することで、サブウーファースステムの性能を微調整できます。基本的には、部屋の配置に応じて、ある位置で聞き分けが可能な程度の低音出力が増大がみられます。

4. 境界利得補正オン/オフ

境界利得補正スイッチにより、部屋の配置に応じて、サブウーファースステムのローエンド領域を微調整できます。部屋の位置によっては、部屋の音響効果による出力の増大があるため、サブウーファースのローエンドの応答が過剰になり、ブーンと響くことがあります。この場合には、「オン」位置を選択すると、システムは、ブーンと響くような応答が少ない均一な状態に回復されます。THX® Ultra2™ レシーバまたはプロセッサを使用しているとき、サブ設定に「Ultra2」を選択した場合には、境界利得補正スイッチは「オフ」に設定すべきです。

5. THXオン/オフ

THXスイッチは、THXリアンプまたはレシーバを使用するとき、クロスオーバーとレベルコントロールをバイパスするための手段を提供しています。「オン」位置では、クロスオーバーとレベルコントロールは機能しません。（この設定では、リアンプまたはレシーバがそれらの機能を実行します。）「オフ」位置では、クロスオーバーとレベルコントロールは通常どおり作動します。このスイッチの設定を変更する前に、リアンプまたはレシーバの音量レベルを下げるようにしてください。

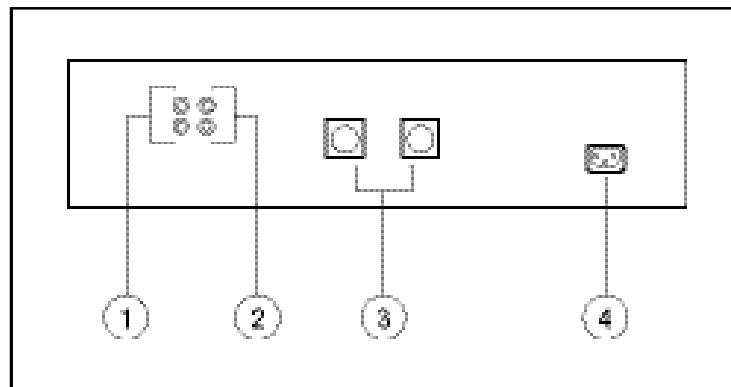
6. 低域通過型クロスオーバー

低域通過型（ローパス）クロスオーバー コントロールにより、サブウーファースシステムがメインスピーカーと調和する適切な周波数の選択が可能になります。この周波数は40~120Hzの範囲から選択できます。このコントロールは、左右のメインスピーカーの低周波数境界値付近に設定すべきです。THXシステムでは、この設定は、80Hzです。THXコントロールが「オン」位置に設定されている場合には、このコントロールは動作しません。このコントロールが動作可能であるかが判るように、LEDステータス インジケータが装備されており、動作中は緑色、バイパスされているときは赤色となります。

7. レベルコントロール

レベルコントロールは、アンプの音量設定です。リアンプまたはレシーバにあるサブウーファース出力レベルコントロールと一緒に使用されます。これは、サブウーファースシステムの全体的な出力レベルの調節に使用されます。THXコントロールが「オン」位置に設定されている場合は、このコントロールは動作しません。このコントロールが動作可能であるかが判るように、LEDステータス インジケータが装備されており、動作中は緑色、バイパスされているときは赤色となります。

KA-1000-THX アンプ



リアパネル入出力/接続および設定

全ての接続は、サブウーファーアンプと、レシーバーまたはプリアンプの両方の電源が「オフ」の状態で行ってください！

1. ラインレベル入力

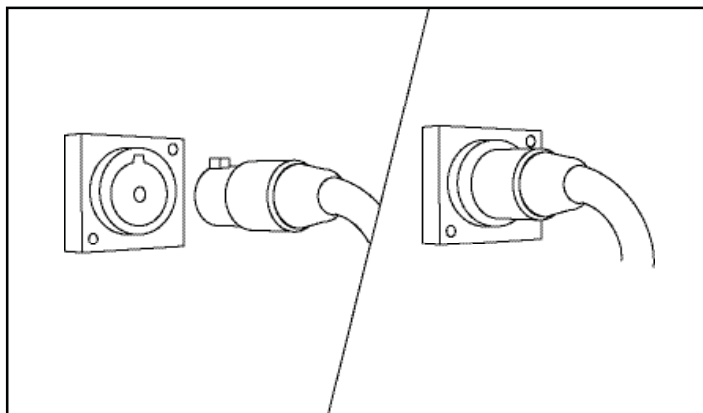
ラインレベル入力は、金メッキが施された一対のRCAフォノジャックで構成されています。この片方または両方が使用されます（同時にRCAプラグのついた遠征付き高品質サブウーファー相互接続ケーブルの適切な長さのものをご使用ください。適切なケーブルの選定は販売店にご相談ください。）この入力は、THXオン/オフ スイッチの位置に応じて、ラインレベル入力またはLFE入力として機能します。THXがオンのとき、低域透過型クロスオーバーはバイパスされ、ラインレベル入力はフィルター処理されていないLFE入力として効果的に機能します。

2. ラインレベル出力

ラインレベル出力は、金メッキが施された一対のRCAフォノジャックで構成されています。この片方または両方が使用されます。この出力は、フィルター処理されていないラインレベル入力信号が素通りするものです。第2のKA-1000-THXアンプに接続するか、または必要に応じてお手持ちの電子機器に接続することができます。

3. スピーカーレベル出力

スピーカーレベル出力は、2個のプロ仕様のSpeakon® NL2接続です。これは単純な接続で、使いやすく確実で、間違えることはありません。コネクタのタブを出力ジャックにあるスロットに挿入して、コネクタにしっかりと差し込み、時計方向に回すと、カラーが所定位置にロックされます。（図1）これを取り外すには、カラーを引き戻し、引いた状態で反時計方向に回してから、引き抜きます。この接続をサブウーファー全体の裏側でも繰り返します。2台のKW-120-THXサブウーファーを使用している場合には、第2のサブウーファーをKA-1000-THXの第2の出力ジャックに同様に接続します。（長さが20フィート（約6m）のMonster Cable THX Ultra認定サブウーファー用スピーカーケーブル1本が、各KW-120-THXサブウーファー本体に付属しています。長めのケーブルが必要な場合には、販売店までお問い合わせください。）



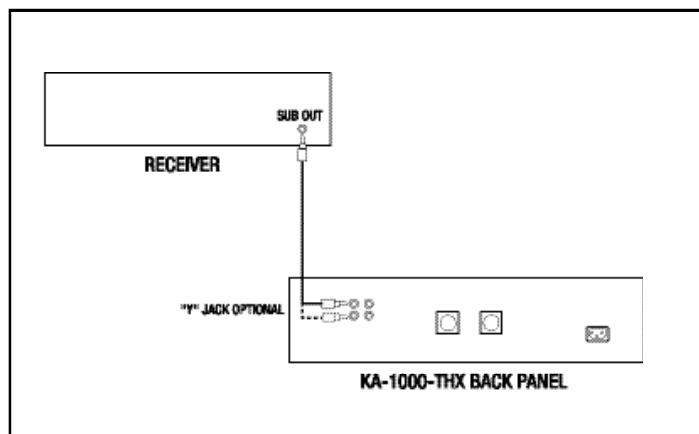
4. ACラインコード

ACライン接続では、着脱可能な三又の電源コードが使用されます。ラインコードをこのジャックに差し込み、主電源スイッチを「オフ」に設定してから、電源コードを該当するACコンセントに差し込みます。全ての接続が完了するまで、主電源スイッチはオフにしておきます。（ほとんどのシステムでの通常の動作では、主電源スイッチと自動電源スイッチは「オン」位置にすることを勧めます。） normal operation in most systems.

接続および調節

KA-1000-THXは、内蔵サブウーファークロスオーバー付きの高性能THX Ultra2認定のクラスDデジタルパワーアンプです。これは、物に1台または2台のKW-120-THXサブウーファーを、可聴帯や損傷のリスクなしに最大出力まで駆動するようにデザインされています。アンプの接続およびコントロールは単純ですが、それらの使用は、サブウーファーシステムの用途に従いいくらか異なります。一般的な設定方法については、デジタルシステムについて1つ、およびアナログ システムについて1つを以下のセクションで説明します。

THX/デジタル サラウンド レシーバーまたはプロセッサ接続—今日のDolby Digital®およびDTS®デジタルサラウンドレシーバーおよびプロセッサをはじめ、全てのTHX認定モデルには、ラインレベル サブウーファー出力および内蔵サブウーファークロスオーバーがあります。これらのどれかを中心にしたシステム構成の場合には、大抵の場合、KA-1000-THXをTHXスイッチを「オン」位置で使用することが最適です。これは、クロスオーバーとレベルコントロールをバイパスします。レシーバーまたはプロセッサにあるサブウーファー出力を、KA-1000-THXの2ヶ所の入力ジャックのうち片方または両方に接続します（図2）。両側にRCAプラグのついた遠征付き高品質サブウーファー相互接続ケーブルの適切な長さのものをご使用ください。適切なケーブルの選定は販売店にご相談ください。レシーバーまたはプロセッサのスピーカー設定メニューで、サブウーファーを「オン」または「はい（Yes）」に設定するか、THX Ultra2認定モデルの場合には、サブウーファー メニューで「Ultra2」を選択します。レシーバーまたはプロセッサには、サブウーファー出力を単に駆動



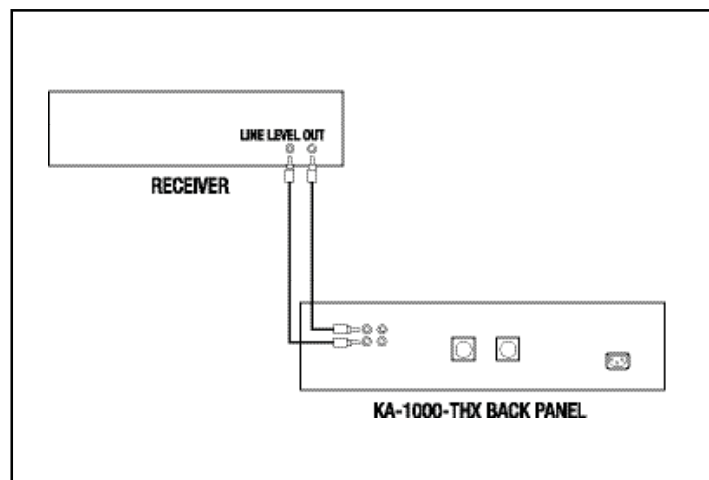
する機能だけでなく、追加機能としてベース マネジメント機能が備わっている場合があります。ご使用のシステムでの適切なベース マネジメント設定について詳しくは、レシーバーまたはプロセッサの所有者マニュアルをご覧ください。または販売店までお問合せください。

クロスオーバー調節—このタイプの設定に推奨されているとおり、THXスイッチを「オン」位置にすると、クロスオーバー コントロールは機能しません。ステータスLEDは赤色で、このコントロールがバイパスされていることを示します。この状況では、レシーバーまたはプロセッサが、サブウーファーのクロスオーバー機能を実行します。正面スピーカーとしてKL-650-THXまたはKL-525-THXのいずれかを使用するときは、80Hz（THX）クロスオーバー周波数を選択してください。

レベルコントロール—このタイプの設定に推奨されているとおり、THXスイッチを「オン」位置にすると、レベルコントロールは機能しません。ステータスLEDは赤色で、このコントロールがバイパスされていることを示します。この状況では、レシーバーまたはプロセッサがサブウーファーの音量レベル機能を実行します。

位相コントロール—据付によっては、位相コントロールの設定による違いはあまりないこともありますが、それ以外では、メインスピーカーとの最適な調和を図るために、時間をかけて位相コントロールとレベルコントロールの両方を行きつ戻りつしながら調節する必要があります。各コントロールの設定（レシーバーまたはプロセッサにあるクロスオーバー周波数の設定も含む）は、他方の最適な設定に影響を及ぼすため、全部が最適な設定になるには、多少の時間がかかることがあります。まずは、位相コントロールを0°にし、目立つ反復ベースラインを収録した録音物を再生し、聴取位置で聴いてみます。このプロセスを、コントロールを90°と180°の位置でも繰り返します。最大の低音出力となる設定を使用します。

非THX/アナログ サラウンド レシーバー/プロセッサまたは2チャンネル ステレオシステムの接続 —一部のアナログAVレシーバーおよびプロセッサ (Dolby DigitalまたはDTS機能のないもの) には、ラインレベルのサブウーファー出力がある場合があります。なかには、一部のステレオレシーバーや統合型アンプと同様に左チャンネルと右チャンネルのラインレベル出力があるものもあります。全てのステレオ プリアンプおよびサラウンド プロセッサにはそれぞれラインレベル出力があります。これらのどれかを中心にしたシステム構成の場合には、大抵の場合、KA-1000-THXをTHXスイッチを「オフ」位置で使用すると最適になります。これによって、クロスオーバーとレベルコントロールが起動されます。これらのタイプの出力は、KA-1000-THXのラインレベルの入力に接続します (図3を参照)。両側にRCAプラグのついた通巻付き高品質相互接続ケーブルの適切な長さのものが1本か2本必要になります。適切なケーブルの選定は販売店にご相談ください。



- **サブウーファー出力** — サブウーファー出力ジャックをKA-1000-THXにあるラインレベル入力ジャックの一つに接続します。
- **レシーバーまたは統合型アンプに対するプリアンプ出力** — レシーバーまたは統合型アンプに、正面左右チャンネル用に予備のプリアンプ出力がある場合には、その出力をKA-1000-THXにあるラインレベルの入力に接続します。
- **レシーバーまたは統合型アンプに対するプリ・アウト/メイン・イン** — ルーブレーシーバーや統合型アンプには、プリアンプやパワーアンプのステージが、ジャンパーによって外部的に接続されているものがあります。左右の正面チャンネルがこの方法で接続されている場合は、KA-1000-THXをそれらのプリアンプ出力に接続することができます。それぞれ2個のオスRCAプラグと1個のメスRCAジャックのある一対のYアダプターが必要となります。2つのチャンネル用のジャンパーを取外します。それぞれについて、Yアダプターの一側の脚を、プリアンプ出力ジャックに差込み、他方をメインアンプ入力ジャックに差込みます。KA-1000-THXに繋がっているケーブルをYアダプターのメス側の端に差込みます。
- **別個のプリアンプまたはサラウンドプロセッサ** — 1個のオスRCAプラグと2個のメスRCAジャックのある一対のYアダプターが必要です。プリアンプまたはプロセッサにある正面左右チャンネル出力に繋がっているケーブルを抜き取り、Yアダプターをそれに差込みます。各チャンネルについて、パワーアンプに繋がっているケーブルをYアダプターのRCAジャックの一方に差込み、KA-1000-THXに繋がっているケーブルをもう一方に差込みます。

クロスオーバー調節 — このタイプの設定に推奨されているとおり、THXスイッチを「オフ」位置にすると、クロスオーバー コントロールは起動されます。ステータスLEDは緑色で、このコントロールが動作中であることを示します。このコントロールを、左右のメインスピーカーの低周波数限界付近に設定します。その仕様がわからない場合には、スピーカーのサイズを先に経験から判断してください。通常は、大型のスピーカーは、小型のスピーカーよりも低い周波数まで性能を発揮します。したがって、大型床置きラウドスピーカーでは、まずクロスオーバー周波数を最低の40Hzに設定して見ます。それに対して、非常に小型のサテライトスピーカーでは、最高の120Hzに設定して見ます。一般的なブックシェルフ スピーカーは、50Hz~80Hzの範囲になっているようです。クロスオーバー周波数が100Hzよりも高く設定されている場合には、サブウーファーは、部屋の正面にある正面メインスピーカーの側に配置すべきです。

レベルコントロール — このタイプの設定に推奨されているとおり、THXスイッチを「オフ」位置にすると、レベルコントロールは起動されます。ステータスLEDは緑色で、このコントロールが動作中であることを示します。強力な低音 (圧倒されるほどではないもの) が収録された多様な音楽録音物を再生して見ます。音楽が一貫して快適で自然に聞こえるまでKA-1000-THXのレベルコントロールを調節します。十分に低い低音が再現できず、ブーンという音がする場合には、クロスオーバー コントロールの設定が高すぎることが考えられます。問題がなくなるまで、その設定を一度に少しずつ下げて見ます。より低い低音が目立ちすぎるほどサブウーファーのレベルを上げなければ、音が弱すぎる場合には、まず、位相コントロールまたは境界利得補正コントロールの設定を変えて見ます。それでも問題が全く解決しない場合には、クロスオーバー周波数を上げる必要が考えられます。

位相コントロール — 薬付によっては、位相コントロールの設定による違いはそれほどないこともありますが、その他の場合に、メインスピーカーとの最適な調和を図るために、時間をかけて位相コントロールとレベルコントロールの両方を行きつ戻りつしながら調節する必要がある場合もあります。各コントロールの設定 (レシーバーまたはプロセッサにあるクロスオーバー周波数の設定も含む) は、他方の最適な設定に影響を及ぼすため、全部が最適な設定になるには、少し時間がかかることがあります。まず、位相コントロールを0°にし、目立つ反復ベースラインを収録した録音物を再生し、聴取位置で聴いて見ます。このプロセスをコントロールを90°と180°の位置でも繰り返します。最大の低音出力となる設定を使用します。

調節についての一般的なコメント : どれか一つの設定を変えると、他の最適な設定がある程度変化することになるため、調節プロセスは、非常に相互作用的なものであり、相当な試行錯誤を要します。ある一定期間聴いてみて調節した後でも満足できない場合には、試しにサブウーファーの位置を少し変えてみる必要がある場合があります。もちろん、それ以外のすべてが相互的に影響します。繰り返しますが、調節には忍耐が必要です。最終的には努力の甲斐のある結果が得られます。

手入れおよび掃除

サブウーファーアンプに必要な唯一の手入れは、時々埃を払うことです。研磨性や溶剤性の洗浄剤、粗い洗剤は一切用いないでください。

米国およびカナダ以外での保証

米国またはカナダ以外の顧客に販売された場合に、この製品の保証は適用法に従うものとし、その製品を販売した販売代理店が唯一責任を受け持つこととなります。適用される保証サービスを受けるには、この製品をお買い求めになった販売店まで、またはこの製品の供給元である販売代理店までお問合せください。

THXおよびUltra2は、THX Ltd.の商標または登録商標です。All rights reserved.

WARRANTY OUTSIDE THE UNITED STATES AND CANADA

The Warranty on this product if it is sold to a consumer outside of the United States or Canada shall comply with applicable law and shall be the sole responsibility of the distributor that supplied this product. To obtain any applicable warranty service, please contact the dealer from which you purchased this product, or the distributor that supplied this product.

THX and Ultra2 are trademarks or registered trademarks of THX Ltd. All rights reserved.

Cut along dotted line and mail.

For multiple speaker purchases, please fill out only one warranty card.

Name: _____

Street Address: _____

City/State/Zip: _____

Home Phone: _____

Work Phone: _____

E-mail Address: _____

Would you like to receive the latest product updates and news via e-mail? Yes No

Product Purchase

Model and serial number must be included to honor your warranty card. For multiple speaker purchases, please fill out only one warranty card.

Model _____ Serial Number _____

Model _____ Serial Number _____

Model _____ Serial Number _____

Model _____ Serial Number _____

Model _____ Serial Number _____

Model _____ Serial Number _____

What store did you purchase your Klipsch products from?

Store Name: _____ State: _____

How did you hear about Klipsch? Audio/Home Theater Magazine Other Magazine TV Radio Newspaper
 Trade Show Friend Retail Dealer Direct Mail Website Web Forum

Have you purchased Klipsch products before? Yes No

If yes, what products?

Product Name(s): _____

When do you hope to purchase additional loudspeakers? 6 mos. – 1 yr. 1–2 yrs.

How likely are you to consider Klipsch products for your upcoming purchases? Very likely Somewhat likely
 Doubtful

If doubtful, why? Don't carry product I'm looking for Too expensive Klipsch dealer too far away Other

Please tell us about you!

Married Single Student Male Female

Age: 15-17 18-24 25-35 36-45 46-55 55-64 65+

Annual Household Income: Under \$25,000 \$25-35,000 \$35-50,000 \$75-100,000 \$100,000+



3502 Woodview Trace, Suite 200
Indianapolis, Indiana 46268
1·800·KLIPSCH • www.klipsch.com

Klipsch Audio Technologies
3502 Woodview Trace, Suite 200
Indianapolis, IN 46268

Make sure you return your warranty card so that we may keep you up-to-date on new Klipsch products and promotions. As always, if you have any questions, contact your local authorized Klipsch dealer.

For your records:

Model

Serial Number

Date Purchased

Dealer Name

Place
FIRST CLASS
Postage
Stamp Here